

Fibershield® -E

The economical textile fire protection curtain with the highest degree of standardisation

Product description

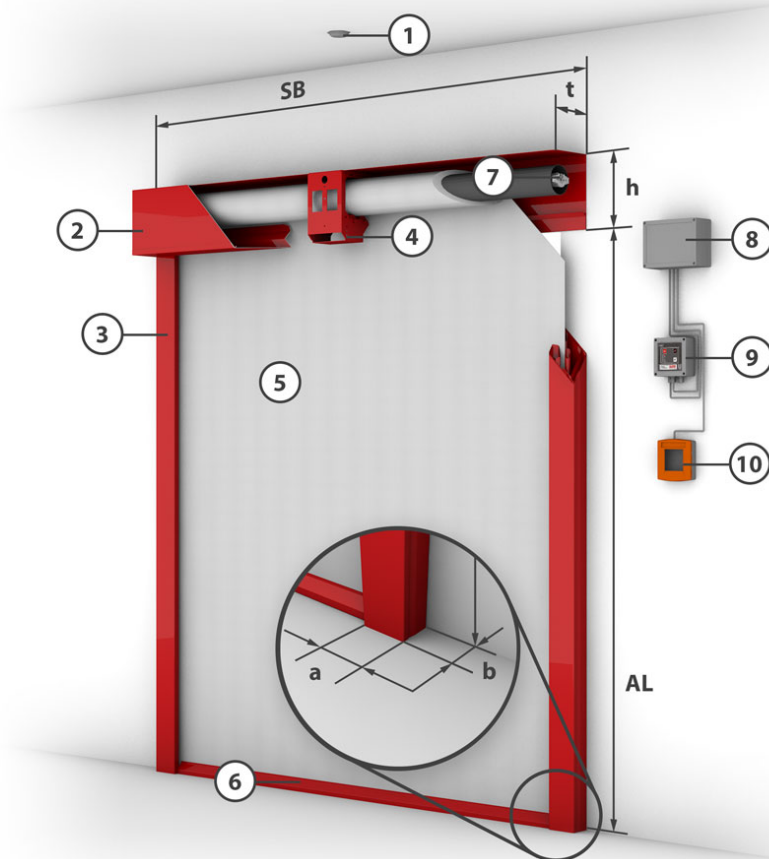
High degree of standardisation and thus economical shielding system with "Gravigen" drive system, i.e. closing without external energy, so that no fire-resistant cables are required. 10.000 motor cycles are possible. Different classifications achievable through different fabric types. Large fire protection curtain systems at least class C 2.
Equipment options: Safety contact strip, spring-loaded closing strip

Type	Textile fire protection curtain	Closing direction	From top to bottom
Achievable protection goals	EI - with fire load free zone • EI - with sprinklers	Fire resistance	E 30 • E 60 • E 90 • EW 30 • EW 60 • classified according to DIN EN 13501-2
Fabric	Heliotex • Ecotex 1100 A2	Closing cycles	C2
Fire load free zone	Heliotex: EI 30/60/90min 20/30/50 cm • Protex/Ecotex: EI 30/60/90min 100/150/200 cm		
Verification	UB III/B-06-005 • 3102/717/07 • UB 3.1/09-021 • UB III/B-08-012 • UB III/B-08-016 • UL 10 (b) (2009) • UL 10 (c) (2009) • UL 10 (d) (2009) • NFPA 252 (2012)		

Constructive system design (System drawing)

Classification	Fabric	System width (SB)	drop length (AL)	t	h
E 90 / EW 30	Ecotex 1100	≥ 1.1 m - ≤ 3 m	≤ 3 m	200 mm	220 mm
EW 90	Heliotex EW	≥ 1.1 m - ≤ 3 m	≤ 3 m	200 mm	220 mm

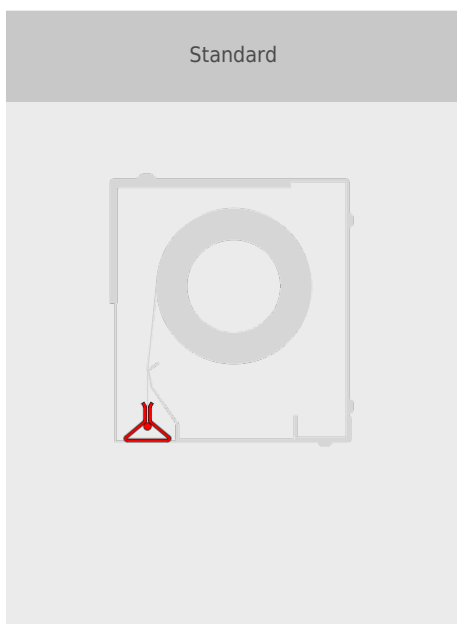
(Special sizes on request - technically feasible up to a width of 7m (Ecotex 1100) or 6m (Heliotex))



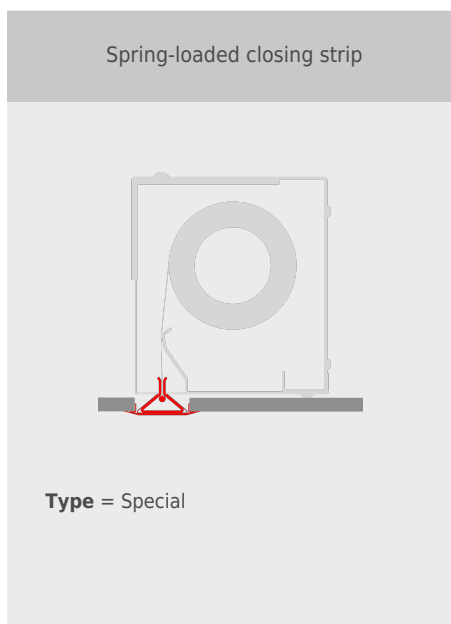
- | | | | |
|---------------------------------|---------------------|-------------------|--------------------|
| 1 = Smoke detector | 2 = Casing | 3 = Side guide | 4 = Fixing bracket |
| 5 = Fabric | 6 = Closing element | 7 = Tubular motor | 8 = Control module |
| 9 = Control with operating unit | 10 = Manual release | | |

Closing strips

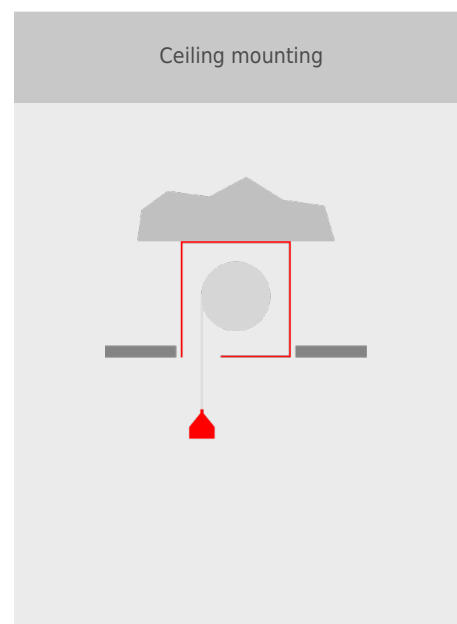
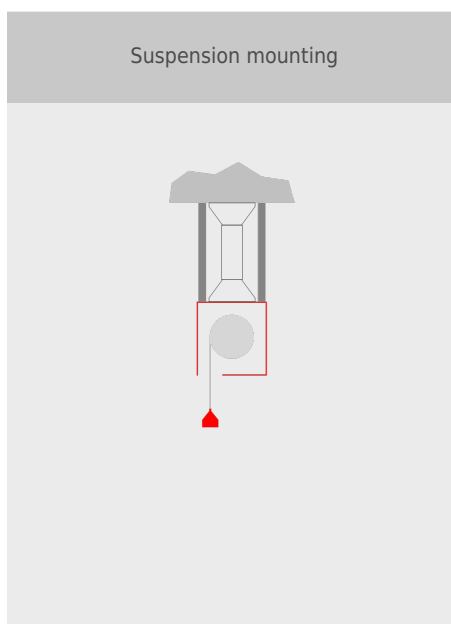
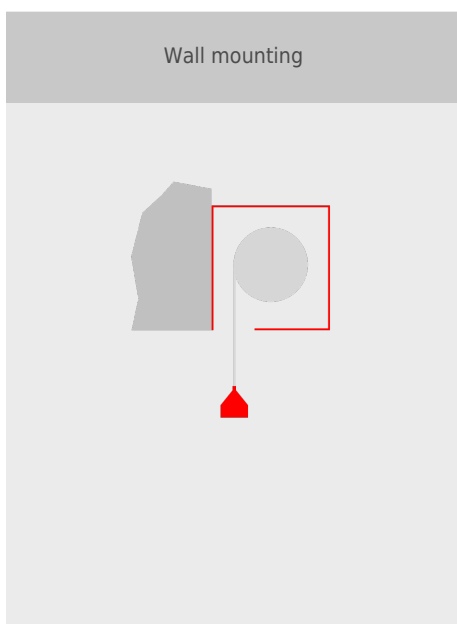
Standard



Special



Casing installation options



Guide rails

