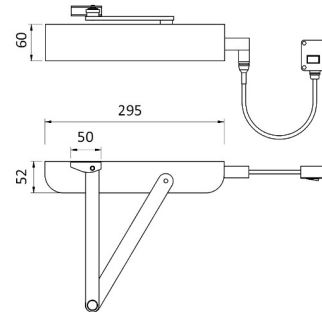


Description

KCC Overhead Electro Mechanical Hold Open / Swing Free Door Closer



Technical Features

EN Power Size	4	Hold Open	Yes, Electric
Width of Door (mm)	up to 1100	Non-handed	Yes
Door Width Test Weight (Kg) - see EN1154	up to 80	Cover	Yes
Arm Type	Standard 'V'	Application	Fig 1
Closing Mechanism	Rack & Pinion	Dimensions	
Power Shoe Arm Bracket	n/a	Body Length (mm)	290.00
Angle of Opening	180 Degrees	Body Height (mm)	53.00
Power Adjustable by	n/a	Body Projection / Width (mm)	60.00
Adjustable Speed. Sweep/Latch	Yes / Yes	Finishes	
Backcheck	No	Finish without Cover	Silver
Delayed Action Adjustable	No	Finish with Cover	Silver, SSS, PSS, PB, RAL Colour, Bronze, Black, Antique Brass

Certification

European Norm	hEN1155
Product Classification	③⑧④①①③
EC Certificate of Conformity No.	2812-CPR-AE5016
Certifire No.	CF5023
Declaration of Performance	See CE Certificate
Other Test Evidence	n/a

BIM Assist™

CE

Certifire

BC(A)R Assist™*

Guarantee

2 Years

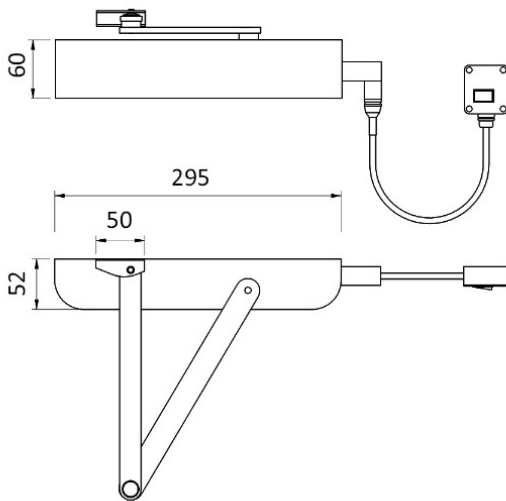
Last Reviewed

19/07/2016

* ROI Only

Description

KCC Overhead Electro Mechanical Hold Open / Swing Free Door Closer



Specification Text

- 471 ELECTROMAGNETIC HOLD OPEN/ SWING-FREE DEVICES (24 V)
- Standard: To BS EN 1155.
- Electromagnetic devices to fire/ smoke control doors: CE marked.
- Manufacturer: KCC Group
- Product reference: KD-TS7004 Fig. 1
- Type: Overhead Electro Mechanical Hold Open / Swing Free Door Closer Fig. 1
- Material/ finish: [SPECIFY FINISH]
- Electric supply: KCC ST1400 24VDC 1Amp
- Means of release: Alarm system and/ or failure of power supply.
- Test switch: Located in a convenient position adjacent to door.
- Operational adjustment of integral closer:
- Latched doors: Override latches and/ or door seals when fitted.
- Unlatched doors: Hold shut under normal working conditions.
- 472 PERFORMANCE SPECIFICATION FOR ELECTROMAGNETIC HOLD OPEN/ SWING-FREE DEVICES (24 V)
- Standard: To BS EN 1155.
- Electromagnetic devices to fire/ smoke control doors: CE marked.
- Type: Overhead Electro Mechanical Hold Open / Swing Free Door Closer Fig. 1
- Minimum classification grades:
- Category of use: 3
- Durability: 8
- Hold open power size: 4
- Suitability for use on fire/ smoke doors: 1
- Safety: 1
- Corrosion resistance: 3
- Material/ finish: [SPECIFY FINISH]
- Means of release: Alarm system and/ or failure of power supply.
- Test switch: Located in a convenient position adjacent to door.
- Operational adjustment of integral closer:
- Latched doors: Override latches and/ or door seals when fitted.
- Unlatched doors: Hold shut under normal working conditions.