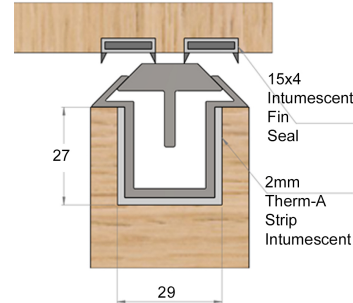


**Description**

KCC Anti-Ligature Door Top Alarm, FD30 Fire Rated when fitted with Intumescent



**Technical Features**

**Function & Operation** This tamper proof system detects when weight is applied to the top of the door. Please note that KCC offers a range of measures designed to reduce the risk of self-harm or suicide, and does not offer any guarantee that it will not take place. The solutions have been designed as a deterrent only

**Summary of Features** See advanced features

**Options** Size options, see advanced features

**Dimensions**

**Dimensions** W44mm or 54mm [SPECIFY] x up to L950mm [SPECIFY]

**Finishes**

**Finishes Available** Satin Anodised Aluminium (SAA)

**Certification**

**European Norm** No Harmonised European Norm

**Product Classification** n/a (No Harmonised European Norm)

**EC Certificate of Conformity No.** n/a (No Harmonised European Norm)

**Certifire No.** n/a

**Declaration of Performance** n/a (No Harmonised European Norm)

**Other Test Evidence** Fire Tested to BS476: Part 20 & 22 for 30 Minutes

**BIM Assist™**

**BC(A)R Assist™\***

**Guarantee**

**5 Years**

Last Reviewed

28/08/2019

\* ROI Only

*For the purpose of continual product development, KCC reserves the right to change specifications without notice. Please accept all dimensions as approximate. E&OE. © KCC Group 2022.*

**Description**

KCC Anti-Ligature Door Top Alarm, FD30 Fire Rated when fitted with Intumescent

**Features**

- Alarmed unit that detects when weight is applied to the top of the door
- Tamper proof design to reduce false alarms
- Variable alarm delay settings
- Utilises mains power, concealed power transfer to the door provided by Intastop's compatible electrical transfer hinge (supplied separately)
- Compatible with most staff attack systems
- FD30 Fire Rated (requires intumescent)
- Tested to 1.5 million cycles

**Technical Characteristics**

- Door Configuration: Single or double door arrangement. Single or double action doors
- Door Core : Solid or Style & Rail core (exposed lipping not recommended)
- Door Weight: Please see restrictions that apply to the compatible electrical transfer hinge transfer KAL-HFM/EM/DT. Please refer to separate datasheet

**Options**

- Thickness: Suitable for 44mm thick doors, specify KAL-DTA/AA/44. Specify KAL-DTA/AA/54 for 54mm thick doors
- Length: Can be supplied up to 950mm Long [SPECIFY]



#### Testing

- Tested to 1.5 million cycles; exceeds life-cycle requirements of CE EN1935:2002
- Fire Tested to BS476: Part 20 & 22 for 30 Minutes (required 2mm Therm-A-Strip and 2 x 15 x 4mm Intumescent Fin Seal)

### Description

KCC Anti-Ligature Door Top Alarm, FD30 Fire Rated when fitted with Intumescent



### Specification Text

#### GENERAL HARDWARE

- Manufacturer: Intastop
- Product reference: KAL-DTA/AA
- Type: Anti-Ligature Door Top Alarm
- Size: W44mm or 54mm [SPECIFY] x up to L950mm [SPECIFY]
- Material/ finish: Satin Anodised Aluminium (SAA)

