



KCC
GROUP

Anti-Ligature Solutions

Ensuring the safety of patients and staff

thekcgroup.com

Introduction

We offer a wide range of hardware, door products and related accessories designed specifically for Mental Health facilities and other areas where patient and staff safety is a priority.

We work with clients to create a solution that works for their specific needs. Our expert partners have developed products that protect lives from listening to people with mental health issues, their clinicians, facility management teams and architects and gaining a deeper understanding of the requirements of all users in mental health environments.

We endeavour to provide our clients with both advice and knowledge when developing their project specifications and subsequently products that will assist in keeping all service users, patients and staff, safer. All products have been tried and tested rigorously.



Contents

04

Area Solutions

Communal Areas.....	04
Bedrooms.....	06
Ensuites.....	08

26

Anti-Ligature Doorsets & Related Products

Anti-Ligature Doorsets.....	26
Anti-Ligature Hinges.....	29
Removable Doorstops.....	31
Door Top Alarm.....	33
Vision Panels.....	35

43

Accessories

Load-Release Accessories.....	43
Hardware Accessories.....	46
Door Closers.....	48
Handrails.....	50

10

Anti-Ligature Locksets

Electronic Locksets.....	10
Mechanical Locksets.....	13
Specifying Mechanical Locksets.....	14

38

Anti-Ligature Window Products

Window Handles.....	38
Window Restrictors.....	40
Hold-Open / Hold-Closed Magnets.....	42

53

Additional Accessories

Radiator Covers.....	54
Protective Installation Covers.....	55

Communal Areas

- Usually subject to heavy usage and footfall by patients and staff alike.
- Safety and comfort of all occupants should always be a priority.
- Can incur heavy maintenance costs due to the level of wear and tear to fixtures and installations.
- We specialise in providing highly durable, long-lasting, low maintenance solutions that focus on protecting people, doors and walls.



Features:

01

Continuous geared hinges

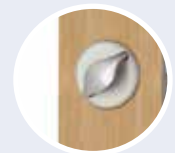
- Single or double action
- Reduced ligature risk
- Reduced maintenance costs



03

Anti-ligature hardware

- Locksets, levers, pull handles, bathroom sets
- Reduced risk of self-harm



02

Vision panels

- For privacy & monitoring purposes
- Choice of visibility options, shapes & finishes



04

Anti-ligature handrails

- Continuous design, no gaps
- PVC-u or solid wood in variety of colours / finishes
- Designed to meet HBN 00-04





Vision panel 02

Anti-ligature hardware 03

Anti-ligature handrail 04

Please note that Intastop offers a range of measures designed to reduce the risk of self-harm or suicide, and does not offer any guarantee that it will not take place. The solutions have been designed as a deterrent only. All products must be installed and maintained as per Intastop's fitting instructions and/or the operation and maintenance manual.

Bedroom Areas

Bedrooms should be an area of solace and relaxation where patients can work on their recovery and rehabilitation.

The safety, comfort and care of patients in their bedroom area is of utmost importance.

Key requirements:

- ✓ Minimize risk of self-harm or ligature
- ✓ Minimize barricade situations
- ✓ Accomodate both privacy and monitoring
- ✓ Allow intervention by staff where necessary



01 Door top alarm

04 Vision panel

03 Anti-ligature hardware

05 Removable doorstop

02 Continuous geared hinge

06 Concealed floor spring

Features:

01

Door top alarm

- Improves safety of patients in secure units
- Enables immediate staff response



04

Vision panels

- For privacy & monitoring purposes
- Choice of visibility options, shapes & finishes



02

Continuous geared hinges

- Single or double action
- Reduced ligature risk
- Reduced maintenance costs



05

Removable doorstops

- Allows easy access in the event of a barricade.



03

Anti-ligature hardware

- Locksets, levers, pull handles, bathroom sets
- Reduced risk of self-harm



06

Concealed floor spring

- Reduced ligature risk
- Allows use of closer in bedrooms in mental health applications



Please note that Intastop offers a range of measures designed to reduce the risk of self-harm or suicide, and does not offer any guarantee that it will not take place. The solutions have been designed as a deterrent only. All products must be installed and maintained as per Intastop's fitting instructions and/or the operation and maintenance manual.

Ensuite Areas

- High privacy areas requiring patient discretion and safety
- Post-formed doors offer a low maintenance, highly durable solution that provides both moisture and water resistance in addition to containing antibacterial killing properties.
- For patients where self-harm is a concern, doorsets can be combined with an anti-ligature door top alarm, anti-ligature lever and lock, window restrictors, and electrical transfer hinge
- We can also advise on ensuite or bathroom specific areas of risk such as a shower curtain track, soap dish, toilet roll holder, towel rails and shelving whereby load-release hardware can be utilised in lieu of traditional options. The load release mechanism uses a spring hidden inside the anti-tamper casing. It provides a robust connection that only releases when needed – a simple concept that really works.





Features:

01

Door top alarm

- Improves safety of patients in secure units
- Enables immediate staff response



02

Electrical transfer hinge

- Provides a concealed and vandal resistant method of transferring cable
- Easy to maintain as fully accessible
- Safe and secure power supply
- Performance tested to 1.25 million cycles



03

Post-formed doors

- Elite Doors post-formed doorsets offer complete encasement, no exposed edges, optimal impact resistance
- Improves lifespan of door
- Infection prevention with anti-microbial additive
- Moisture and water resistant



04

Anti-ligature locks

- Bedroom lockset – Anti-ligature key operated roller bolt deadlock
- Communal washroom – Anti-ligature lockset with indicator



Electronic locksets

The electronic lockset option operates on a smart platform which enables staff and caregivers to utilise remote programming where necessary and avail of real-time updates and reporting.

This system successfully combines safety and speed of access with convenience and service user empowerment, and is built specifically for mental health environments.

It is also the only electronic lockset on the market with 5-way SOS (Staff Override System), so staff can always gain access.

In lieu of mechanical keys, this lockset uses a harmless swipe card, wristband or key fob to unlock the door. The key fob can be issued to service users, emulating the home environment by giving them complete control over their living space access – restoring dignity and aiding recovery, whilst reducing demand on staff to unlock doors.

Staff can programme one card to open all relevant doors. This reduces the number of keys carried on the ward, increasing security and making key selection faster, especially in stressful situations.

Tampering is also made more difficult due to the lockset being fitted on the outside and the lack of any keyway to block. In the event of any damage or interference, staff can unscrew a safety cover and open the door with an emergency tool.



Electronic 5-way Staff Override System (SOS)

Passport Solo PR-3-02-728P

Our electronic locksets are designed specifically for mental health environments, combining service user empowerment with unrivalled safety and security.

Patients can independently lock and unlock their bedroom while staff have peace of mind with 5 emergency override methods to gain fast, reliable access.

Programmed individually at each door, it is suitable for smaller wards or situations where realtime audit and updating is not required.

Passport Solo can be upgraded to operate on our smart platform as part of an electronic access control system.



Electronic 5-way SOS lockset

- Reduces restrictive practices in line with Care Quality Commission (CQC) guidance
- Promotes patient independence and helps to facilitate recovery
- Fast, reliable emergency access with 5-way staff override system built in
- One staff access card operates any number of doors





Mechanical locksets

Designed to overcome barricades of any type, our patented locksets provide peace of mind and help to save lives. These mechanical locks have been used and improved in mental health units for more than a decade. We can offer both 5-way and 1-way Staff Override Systems, according to your requirements.

Simplifying your selection:

1. Select override type
2. Select application
3. Select your handle preference
4. Select your finish

Specifying your mechanical lockset

- PR-3S 5-way SOS (Staff Override System)
 PR-1 1-way SOS (Staff Override System)

Application

- 16 Service Riser Lock
 46 Bedroom Lock
 56 Indicator Lock
 66 Automatic Night-latch (Key/Turn)
 76 Ensuite Lock
 76X Service Riser Lock (1 Pull Only)
 86 Automatic Night-latch (Key/Key)
 96 Communal Lock

Handle Type

- 729A 7" Pinch Grip - Radius Flat Plate
 729B 7" Pinch Grip - Square Flat Plate
 729C 7" Pinch Grip - 1 Piece Plate
 729G 7" Pinch Grip - Slimline Shaped Flat Plate
 730A Elephant's Trunk - Radius Flat Plate
 730C Elephant's Trunk - 1 Piece Plate
 730E Elephant's Trunk - Recessed Dish
 731A Recessed Grab - Radius Flat Plate
 731C Recessed Grab - 1 Piece Plate
 731F Recessed Grab - Recessed Dish
 732H* Suregrip Pull - Invisible Plate
 732A Suregrip Pull - Radius Flat Plate
 732C Suregrip Pull - 1 Piece Plate

Additional 5-way SOS only options

- 729AEP 7" Pinch Grip - Radius Escutcheon Plate
 730AEP Elephant's Trunk - Radius Escutcheon Plate
 731AEP Recessed Grab - Radius Escutcheon Plate
 731AEP Recessed Grab - Recessed Dish

PR-146

729A

*Cannot be used in combination with PR-1-40, PR-1-56, PR-1-86

Override type:

5-way Staff Override System (SOS)

The most complete override locking system on an anti-ligature lockset, our 5-way SOS lockset provides

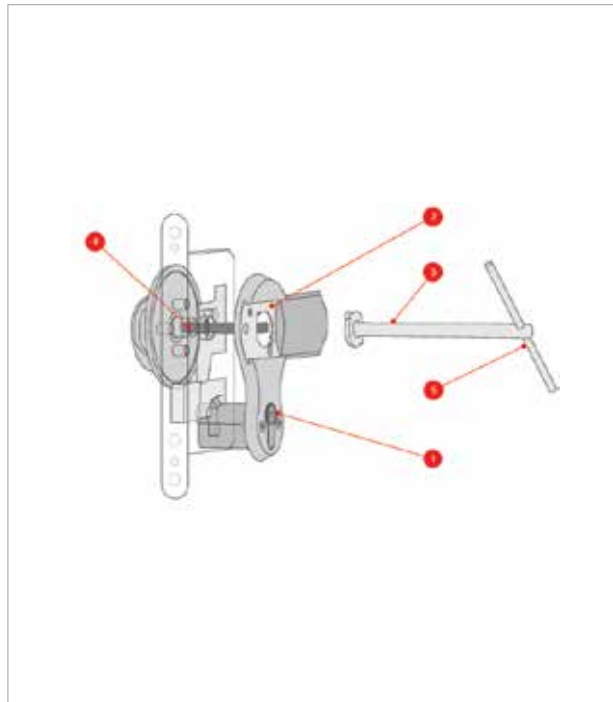
five override methods to ensure you gain access – regardless of keyway damage or tampering.

Standard keyway



Ideal for master key systems, 5-way SOS locksets can be provided for use with standard euro-cylinders

Five override methods



In the most common barricade scenario, the staff key dominates the internal turn/pull, ending the barricade quickly and simply. It also contains additional emergency override methods to overcome determined barricades. We hope you rarely use them, but when you do, they might just save a life.

Override type:

1-way Staff Override System (SOS)

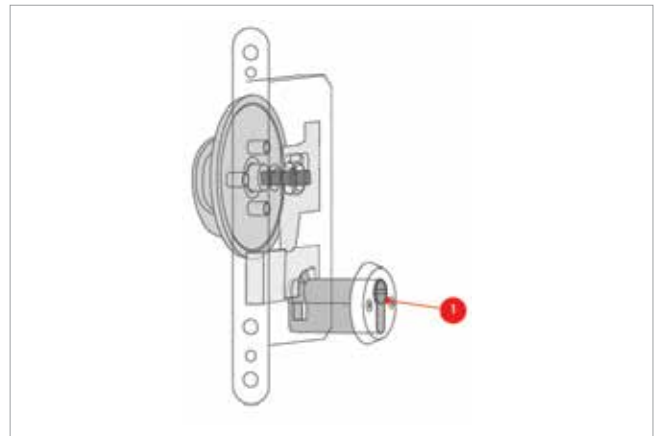
Suitable for low-risk doors where tampering is unlikely, these locksets provide just one override method – key override. The patented direct mechanical override means the key and turn/pull operate independently – allowing staff to unlock the door, even if a service user holds the turn/pull.

It addresses the limitations of 'primary' override systems, like clutch cylinders – which are susceptible to wear and tear and can malfunction, trapping service users in their rooms, and geared cylinders – which rely on a key to disengage the internal turn/pull and can be over-rotated to delay access to the room.

One override method



With two independent spindles, the lock and the internal turn/pull operate independently, so the key always dominates. It's a direct mechanical override, so there's no geared cylinder to disengage the turn/pull or clutch mechanism involved.





Application options

Locksets provide vital room access – with the right lockset and handle combination keeping service users safer and enabling clinical teams to perform their roles effectively. 5-way SOS locksets are recommended for bedroom areas, while 1-way SOS locksets are for low-risk doors, staff-only doors or to provide a lock-off function.

Application

46 - Bedroom lock

5-way SOS



Inside

Anyone can lock or unlock the door from the inside using the turn-pull.

Outside

The door can only be locked or unlocked using a key, generally staff only.

66 - Automatic night latch

5-way SOS



Inside

Anyone can unlock the door from the inside using the turn-pull.

Outside

The door can only be unlocked using a key (generally staff only).

56 - Indicator lock

5-way SOS



Same as the 46 lock with the addition of an indicator showing when the door has been locked from the inside (using the turn/pull).

This can be helpful to allow staff to see at a quick glance which rooms are occupied and locked from the inside.

76 - Indicator lock

5-way SOS



1-way SOS

Inside

Pull handle only. No ability to lock the door.

Outside

The door can only be locked or unlocked using a key (generally staff only).

96 - Communal

5-way SOS



1-way SOS

Inside/Outside

The door can only be locked or unlocked using a key (generally staff only).

86 - Automatic night latch

5-way SOS



1-way SOS

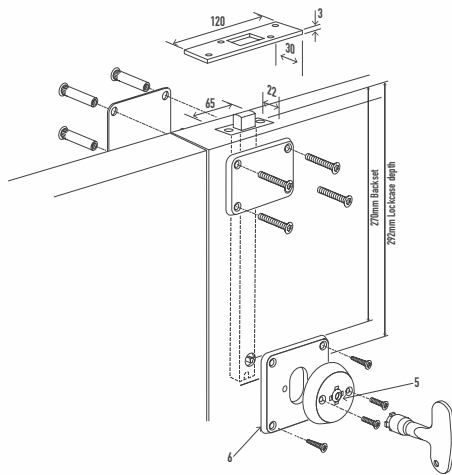
Same as the 66, but keyed both sides.



Slave-leaf locking

Slave-leafs are commonly used where extra-wide door leaves cannot be used. For normal, day-to-day use, only the standard wide section of the door is used. However when required, the slave-leaf can be unlocked to facilitate a wider aperture. Unfortunately this creates a weak point in the door's security and leaves it susceptible to abuse which can in turn cause damage to the smaller leaf. We provide a slave-leaf bolt solution to counteract this risk.

- ☺ Lifeline closed keyway to minimise tampering
- ☺ Lowers the keyway and brings it within convenient reach
- ☺ Release slave-leaf with a quarter turn
- ☺ Anti-tamper fittings
- ☺ Easy-clean floor sockets available

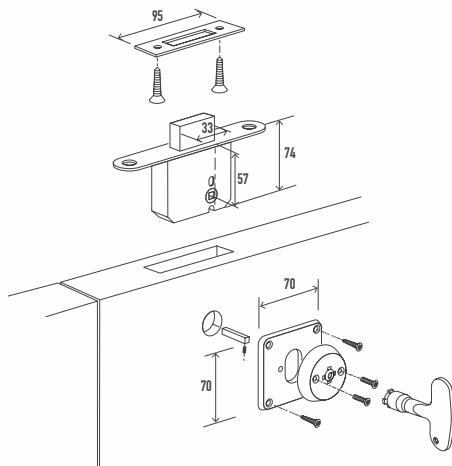


Rhino Bolt

PR-6304-RB-RK-LL

This system is designed to meet the requirements of the most extreme environments. The extended mortice lock bolt secures the slave-leaf to the door frame. High-impact strike plates, bolt-through reinforcing plates, steel deadbolts and anti-tamper fixings are also used. The keyway is lowered as a result, facilitating easier reach.

The 3mm enforcing plates and back-to-back fixings provide a higher level of impact protection to the lock mechanism also.



Rhino Junior Bolt

PR-6308-BR-LL

When securing slave-leaf doors is a priority over impact resistance, the junior Rhino is the most suitable solution. The mortice lock is located at the top or bottom edge - or both - and locks the slave-leaf to the floor or door frame. No specialist equipment is required either, making it a convenient yet reliable solution for retrofit projects.

Anti-ligature handles

Robust and anti-ligature, these handles are tried, tested and proven in the Mental Health environment. They're also designed for service users with different needs and varying levels of strength and manual dexterity.

We use this specification to independently test all our handles – and they pass at the highest levels.

The laser-cut back-plates minimise the potential for self-harm or injury to staff, and mean our handles are robust. With anti-tamper fixings, rounded corners and chamfered edged back-plates, they're also designed to withstand everyday use in abusive environments. Plus they're corrosion-resistant, so they can be used internally or externally – providing a consistent look throughout the unit and making surroundings familiar for service users.

Key features

- ✔ Anti-ligature (DHF TS001)
- ✔ Robust
- ✔ Anti-tamper fixings
- ✔ Anti-wrench (specifically the Pinch Grip and
- ✔ Turn/Pull)



PINCH GRIP PR-4-729

Highly ligature resistant. Typically used where manual dexterity is not the primary concern. Narrower 45mm option for aluminium doors. 90mm back-plate option is designed for concealing the previous door preparation is a priority.



GRAB PR-4-731

Same form and function as a round bar handle. Inside is easier to operate than the Pinch Grip, but still with high ligature resistance. It has a low projection and smooth curvature to minimise the risk of self-harm. Available on a flat or recessed back-plate.



ELEPHANT'S TRUNK PR-4-730

For situations where manual dexterity is a priority over ligature reduction. Easily operated with one or both hands. Although the risk area is visible from the corridor side, a ligature point can be created by hooking an item under the handle and over the top of the door..



ORYX LEVER PR-4-724LP

Easier door opening for those with poor grip or hand co-ordination. Ideal for the infirm or elderly. Looks like a normal lever handle, so is easily recognised by dementia patients.



TURN/PULL PR-4-728

Robust, no visible fixings, commonly used on the inside of bedroom doors. It can also be used to operate the lock, allowing service users to create their own private space, with the staff-key still unlocking the door from the corridor.



SUREGRIP 732

Robust Handle with twice the grip and no visible fixings. This new handle has a less institutional appearance due to the incorporation of a less visible backplate without sacrificing durability, ease of fitting or sturdiness.



NARROW-STYLE PR-4-727B

A narrow-style pull handle with 25mm square back-plate, for use on a variety of applications where space is limited. It can be used both vertically and horizontally.



Passed multi-directional ligature tests.



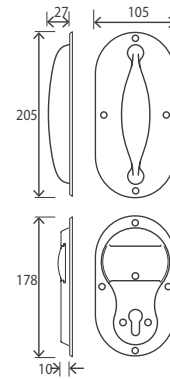
Passed vertical (downwards) ligature tests. Suitable for use in lower-risk environments.

Handle back-plate options

All handle options are compatible with PR3S locksets.

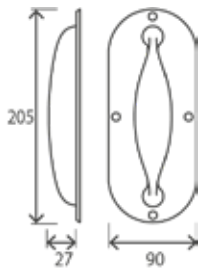
E, F and G are not compatible with PR1.

AEP



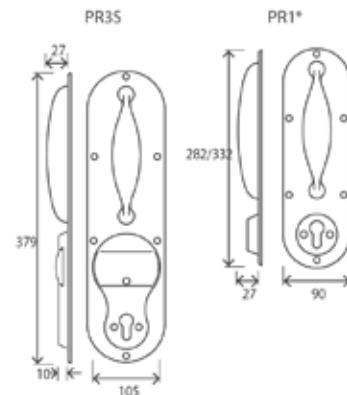
Handle and escutcheon mounted on separate radius-cut plates

A

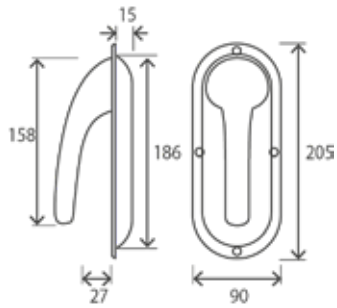


Handle (only) mounted on a radius-cut plate

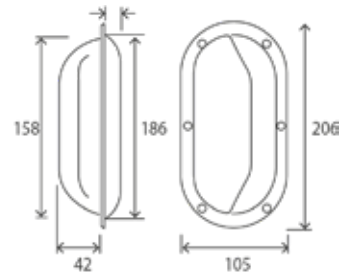
C



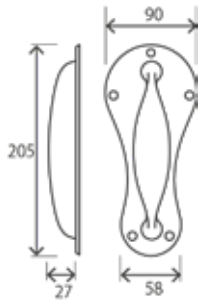
Both handle and escutcheon mounted on a single radius-cut plate

E

Handle only, set inside a recessed dish

F

Handle only, set inside a recessed dish and escutcheon mounted on a separate radius-cut plate

G

Handle only mounted on a slimline-shaped flat plate

Anti-ligature doorsets

With growing demand for integrated doorset solutions KCC Group can now offer clients a range of specialist, tried & tested doors to suit all requirements. This range includes certified:

- ✔ Laminate & veneer doorsets
- ✔ Encapsulated / post-form doorsets
- ✔ Steel doorsets
- ✔ Specialist ensuite doorsets

With KCC as a tried and tested partner who continues to innovate and expand it's offering to the construction community, we look forward to building our relationship over the coming months and years.





Specialist Elite timber doorsets

The coming together of KCC and Elite Doors greatly enhances our capability to offer clients fully integrated doors and ironmongery from a single source.

Our doorsets are manufactured to the highest fire door standards, compliant to BS476 Part 22 for fire, with FSC® full chain of custody.

Elite Doors manufacture high performance timber fire doors for the commercial, health, education and local government sectors and they have developed a strong brand over the past 25 years which is renowned for excellent quality, great service and after care.

With the growing demand from our clients for life safety, security and accessibility in their building design, KCC can now offer a total solution.

In addition to this, our fully qualified fire door inspection team can provide peace of mind, by offering a service which includes inspection, repair and replacement of fire doors.





MedSecure door

Within most mental health units there are areas and rooms which will need an extra level of security to ensure the safety of service users, staff and visitors. KCC MedSecure Door range is designed to allow access to these areas normally, but also provide the highest level of security when the doors are locked. Doors are constructed using a reinforced steel system for both leaves and frames and are secured using hardened steel multi point locking bolts to ensure that even in the most severe environments the door will remain closed and locked when required. Doors are available with a wide choice of accessories including our full range of antiligature ironmongery as well as high security vision panels. Despite the extremely secure nature of these doors they are aesthetically very similar to normal door sets and are available as with all our door systems in a wide variety of colored finishes.

Features

- Available with a range of vision panels including privacy type visi-panels
- Fire-rated and non fire rated versions available
- Suitable for both internal and external applications
- Subjected to testing under the LPS standard for physical security
- Available in various RAL colors
- Can be integrated with access control systems using severe duty electric lock sets
- Available as automated doorset
- Available with a wide range of antiligature ironmongery and fittings
- Available as full break out door sets where required
- Available with anti microbial finish to door and fixtures
- Can be adapted for secure isolation rooms and can be fitted with safety padding



Specialist "SafeDoor"

This safe door is constructed from a lightweight 4kg soft foam then coated with a resilient antimicrobial, stain resistant vinyl material designed to withstand daily use specifically in mental health environments. By harnessing the natural forces of short range magnetism for its fixing points, it eliminates all anchor points usually associated with doors & hardware. This ensures that, under excess load (9kg), the door separates from the door frame to which it's mounted, leaving no remaining points of ligature - a highly essential safety feature.

Benefits

- Zero ligature risks
- Providing privacy and dignity
- Lightweight design for service user and staff protection
- Durable tear and stain-resistant solution
- Waterproof & flame retardant
- Printable surface for custom-designed finish
- Simple installation
- Left or right-hand hinge mounting



Anti-ligature hinges

We offer a range of anti-ligature hinges which can be used on new or existing doors and are fitted so as to conceal both leaves of the hinge. Unlike conventional hinges, the anti-ligature variation does not have a pin and they are designed specifically to reduce the ligature point between the bearing and the hinge leaves which minimises the potential for self-harm in the open state.

Benefits

- Helps reduce the risk of potential self harm
- Affords greater privacy for patients

Finishes

- Standard finish is Satin Anodised Aluminium (SAA)

Full mortice anti-ligature SECURA hinge



Description

Full mortice single swing continuous geared anti-ligature SECURAHinge™ featuring anti-ligature tip designed for single acting doors. This hinge is suitable for new and existing doors and is designed to prolong the lifespan of the door set and reduce maintenance costs.

Testing

- Fire tested to BS476: Part 20 & 22 for 30 & 60 minutes
- Performance tested to 1.5million cycles; exceeds life cycle requirements of CE EN 1935-2002
- Grade 1 Abuse tested to highest level
- Tested to DHF TS 001: 2013 B4 (0.5mm wire test)

Product types

- Standard duty
- Heavy duty
- Extreme duty
- Severe duty

Shrouded double swing continuous hinge



Description

The Shrouded double swing continuous geared hinge can be combined with a removable doorstop to offer a unique anti-barricade package providing quick opening in emergency situations. It is ideal for doors that need to swing 90 degrees in both directions or 180 degrees in one direction.

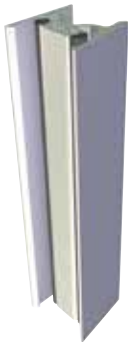
Testing

- FD30 fire tested to BS 476: Part 20 & 22
- Adult medium secure abuse test (3rd Party Testing)

Product types

- Severe duty

Double swing hinge



Description

This solution is ideal for doors that need to swing 90 degrees in both directions (180 degrees) and eliminates the possibility of pivot doors splitting on impact. It provides an ideal solution for busy corridor doors which are exposed to impact damage.

Testing

- Fire tested to European Standard EN1634-1 2000 for 30 minutes
- Performance tested to European Standard BS EN:1935
- Tested to DHF TS 001:2013 B4 (0.5mm wire test)

Product types

- Double swing hinge with smoke seal (Severe Duty)
- Concealed floor mounted closer and arm kit

Removable doorstops

We offer full-length, fire-rated doorstops that are an ideal solution for bedroom and ensuite doors in psychiatric accommodation, nursing homes or other care facilities where the possibility of a barricade could reduce patient or occupant safety. In an emergency these doorstops allow doors that usually open inwards to open outward, greatly reducing the risk of barricade.

Benefits

- ✔ Easy / fast access in the event of a barricade or emergency
- ✔ Helps reduce the risk of potential self-harm

Features

- ✔ Fire tested to 30 minutes
- ✔ Secure dual point locking system
- ✔ Anti-ligature tested to DHF TS 001:2013 B4 (0.5mm test wire)



SECURA™ stop: Multi-lock removable doorstop

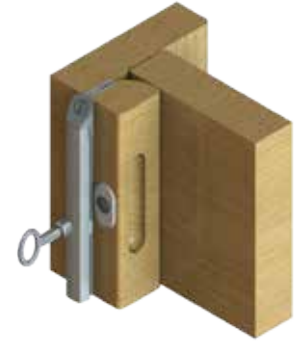
Stop mounted

Description

Full length, fire rated, stop mounted doorstop ideal for bedroom and ensuite doors in mental health environments.

Its single point operation (espagnolette system; one key opens 2 locks) streamlines locking and unlocking procedures, allowing quicker, easier access.

By two locks engaging and unlocking simultaneously it guarantees when locked it is securely fastened in two places and does not allow for one to be held in the locked position.



Removable doorstop ref:

- RDS-ML-IK [Tulip Wood] - [Height] - [Handing] - [8mm Key]
- RDS-ML-LK [Tulip Wood] - [Height] - [Handing] - [Lifeline key]
- RDS-ML-IK-S [Special Timber] - [Height] - [Handing] - [8mm key]
- RDS-ML-LK-S [Special Timber] - [Height] - [Handing] - [Lifeline key]

Removable doorstop

Frame mounted

Description

Full length, fire rated, frame mounted doorstop ideal for bedroom and ensuite doors in mental health environments. It provides quick emergency outward opening operation of doors that normally open inwards, helping to resolve a number of problem areas including the elimination of barricade situations.



Removable doorstop ref:

- RDS-01 - [Tulip Wood] - [Height] - [Handing] - [4mm key]
- RDS-02 - [Hardwood] - [Height] - [Handing] - [4mm key]
- RDS-04 - [Aluminium] - [Height] - [Handing] - [4mm key]
- RDS-05 - [Tulip Wood] - [Height] - [Handing] - [8mm key]
- RDS-06 - [Hardwood] - [Height] - [Handing] - [8mm key]

Specification	Stop mounted	Frame mounted
Size	50 x 25 x 2100	50 x 25 x 2100 (non-standard 2400)
Fire rating	FD30 fire rated - tested to EN1634-2000	FD30 BS476 Part 20&22 for 30 minutes
Performance	BS EN 1935 equivalent (hinge)	BS EN 1935 equivalent (Hinge)
Category of use	Grade 4 severe duty	Grade 4 severe duty
Durability	1,250,000 cycles, grade 9, destruction tested DD171	1,250,000 cycles, grade 9, destruction tested DD171
Hinge grade overall	13	13
Acoustic performance	Not required	Not required
Colour	Paint grade tulip wood	Paint grade tulip wood

Door top alarm

This tamper proof system detects when weight is applied to the top of the door and has a variable alarmed delay setting.

The door top alarm connects via low voltage power and is compatible with most staff attack systems. Power transfer to the door goes via an electrical transfer hinge which ensures all cabling and electronics are concealed.

Benefits

- ✦ Improves safety of patients
- ✦ Enables immediate staff response
- ✦ Tamper proof preventing false alarms
- ✦ Tested to 1.5 million cycles; exceeds life cycle requirements of CE EN 1935: 2002
- ✦ Fire tested to BS476: Part 20 & 22 for 30 minutes



Door top alarm

Door top alarm ref:

- DTA-AA door top alarm

Electrical transfer hinge ref:

- HFM-EM-DTA - [Width] - [Handing] - Full mortice electrical transfer hinge c/w smoke seal - 4 wire; Standard, **heavy or extreme duty**
- HDS-01-EM Double swing electrical transfer c/w smoke seal - 4 wire; **Severe duty**

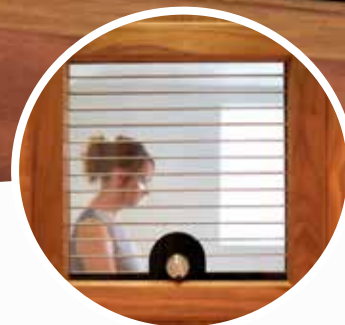
Testing

- Fire tested to BS476: Part 20 & 22 for 30 minutes
- Transfer wire tested to 3 million cycles
- Electrical transfer hinge performance tested to 1.25 million cycles
- Electrical transfer double swing hinge tested to severe duty rating DD171 and performance tested to European Standard EN1935.



Product specification	
Size	Door Top Alarm: 44mm or 54mm width x up to 950mm length Electrical transfer hinge: To suit up to 44mm or 54mm door x 200mm section and 2100mm or 2400mm length. Double swing electrical transfer hinge: To suit 44mm door x 200mm section and 2100mm or 2400mm length
Single or double acting	Single or double door configuration
Fire performance	FD30 BS476 Part 20 & 22 for 30 minutes
Performance rating	Electrical transfer hinge tested to 1.25 million cycles. Transfer wire tested to 3 million cycles. Double swing electrical transfer hinge tested to European standard EN1935
Door core	Solid or style & rail core (exposed lipping not recommended)
Door weight	Electrical transfer hinge: 125kg grade 6 for standard duty, 245kg grade 8 for heavy duty and up to 500kg grade 9 for extreme duty Double swing electrical transfer hinge: For door up to 160kg
Hinge grade overall	13
Colour	SAA

Vision panels: iVision privacy vision panel



Description

iVision offers twice the open area compared to other vision panels currently available in the market. This revolutionary panel provides up to 67% visibility on the 400 x 400 panel and up to 80% visibility on the 250 x 800 panel when in the open position and offers full black-out when closed. There is no mains power required to operate this panel, allowing for ease of monitoring or privacy as required.

Testing:

- Fire tested to BS476: Part 20 & 22 for 30 & 60 minutes
- Cycle tested to greater than 40,000 cycles (10 years typical use)

Product ref:

- iVision panel, supplied with ironmongery on one or both sides with fire rating to suit the door

Product specification

Size	Rectangular: 254 x 804mm or 254 x 404mm Square: 404 x 404mm or special size
Performance	Increased visibility 400 x 400 - 67% visibility 250 x 800 - 80% visibility
Finish	<ul style="list-style-type: none">• 22mm panel: 6mm toughened glass on both sides• 26mm panel: 6mm toughened glass on staff side, 10mm toughened glass on patient side• 30mm panel: 10mm toughened glass on both sides• 39mm panel: 10mm toughened glass on staff side, 19mm toughened glass on patient side Optional: upgrade to toughened laminated glass eg. 10.4mm thickness
Ironmongery options	Standard - 8mm key, lifeline key, thumbturn / knob Non-standard - 5mm key and lever

Vision panels: INTAGlaze privacy vision panel

Description

INTAGlaze is a tried and tested vision panel that ensures reliable security and dignity of both staff and facility users. This manually operated panel requires no wiring or mains power and offers smooth, quiet operation for users. The product is available in both fire rated and non-fire rated variations.

Testing:

- Fire tested to BS476: Part 20 & 22 for 30 & 60 minutes
- Cycle tested to greater than 40,000 cycles (10 years typical use)

Product ref:

- INTAGlaze panel, supplied with ironmongery on one or both sides with fire rating to suit the door

Product specification	
Size	Rectangular: 254 x 804mm or 254 x 404mm Square: 404 x 404mm or special size
Performance	Increased visibility 400 x 400 - 38% visibility 250 x 800 - 41% visibility When used with a beading or surround with a 25mm coverage
Finish	<ul style="list-style-type: none"> • 22mm panel: 6mm toughened glass on both sides • 26mm panel: 6mm toughened glass on staff side, 10mm toughened glass on patient side • 30mm panel: 10mm toughened glass on both sides • 39mm panel: 10mm toughened glass on staff side, 19mm toughened glass on patient side <p>Optional: upgrade to toughened laminated glass eg. 10.4mm thickness</p>
Ironmongery options	Standard - 8mm key, lifeline key, thumbturn / knob



Vision panels: SECURA Glaze / SECURA Vision

Description

SECURA Glaze and SECURA Vision are specialist privacy vision panels with no hole in the glass and integral pressed stainless steel surround for the mental health Sector. The panel ensures the security and dignity of both staff and facility users. The quiet, manually-operated panel requires absolutely no wiring or mains power and is available fire rated or non-fire rated.

Testing:

- Fire tested to BS476: Part 20 & 22 for 30 & 60 minutes
- Cycle tested to greater than 250,000 cycles
- Abuse tested to the medium secure standard

Product ref:

- SECURA Glaze / SECURA Vision panel, supplied with ironmongery on one or both sides with fire rating to suit the door.



Product specification	
Size	Rectangular: 254 x 804mm or 254 x 404mm Square: 404 x 404mm or special size
Performance	Achieves the mediumsecure abuse testing requirement
Finish	<ul style="list-style-type: none"> • 30mm panel: 10mm toughened glass on both sides, complete with integral pressed SS surround • 39mm panel: 10mm toughened glass on patient side, complete with integral pressed SS Surround
Optional	<ul style="list-style-type: none"> • Digital imagery • Upgrade to toughened laminated or fire glass • Powdercoated / Wood effect stainless steel surround
Ironmongery options	Standard - 8mm key, lifeline key, thumbturn / knob Non-standard - 5mm key

Window safety: Window handles

Methodical design, rigorous testing

Our solutions combine form and function with soft lines and aesthetically pleasing designs combined with the highest levels of safety and durability to meet the needs of service users and staff and withstand heavy usage or abuse.

Safety always remains at the core of our anti-ligature solutions. All products are independently tested using the TS001 specification detailed by the Door & Hardware Federation (DHF). All anti-ligature window handles within our offering have passed at the highest level (A4), rejecting multi-directional 0.5mm ligature attachments. When using a lever fitting, the convertible handle passes at a B4 rating.

Design

- Anti-tamper fixings available
- Rounded corners
- Chamfered edged back-plates
- Robust yet aesthetically pleasing
- Capable of withstanding heavy abuse
- Manufactured from die-cast zinc & solid steel plate
- Satin stainless steel finish
- Can be powder-coated in any RAL finish



Popular solutions

Standard push / pull

PR-8PHS1-STD

- ✪ Available for wood, PVCu or aluminium frames
- ✪ For unlocked windows
- ✪ Gives service users ability to open and close their own windows
- ✪ Ideal for use with hold-closed magnets and for use with horizontal or vertical sliding vents



Camlock

PR-8PHS4-CAM

- ✪ Available for wood frames
- ✪ Typically supplied keyed alike for convenience, but can be keyed-to-differ
- ✪ Solid 3mm cam arm for security
- ✪ Compatible with magnetic hold-open window kits



Window safety: Window restrictors

Creating a safe yet therapeutic and homely environment presents several challenges for mental health facilities.

Permanently closed windows limit the circulation of fresh air into the building, hindering recovery, but open windows could potentially offer an escape route, somewhere to throw objects or an avenue to pass contraband.

We offer both two and three-part window restrictors, depending on the level of risk associated with the environment. Two-part restrictors are most commonly used in low-risk situations whereas the tailor-made three-part solutions are ideal for meeting the specific requirements of high-risk environments.

Features

- ✪ Assessed under DHF TS001
- ✪ Anti-tamper fittings
- ✪ Keyless operation
- ✪ Corrosion-resistant & robust
- ✪ Available in wide range of sizes or tailor-made, can be finished in any RAL colour
- ✪ Top or side-hung vents
- ✪ Suitable for timber, PVCu or aluminium frames



Three-part restrictors

Why three-part restrictors?

Superior resilience

The three-part restrictor system provides a higher level of resilience to impact or abuse from service users making it a reliable and safe solution in high risk environments. It increases safety and security while also allowing fresh air to circulate into the building.

Reduces contraband

The air flow gaps facilitated by the three-part restrictor are large enough to allow fresh air to enter but small enough to ensure that contraband cannot easily be passed through.

Maximises ventilation

These window restrictors have been meticulously designed based on best practice and feedback from customers to allow the maximum amount of fresh air to enter the area, without ever compromising on safety.

Robust design

These window restrictors are manufactured from steel and are treated to resist corrosion. They are secured with multiple fixing points to ensure that they withstand high levels of abuse from service users.



Two-part restrictors

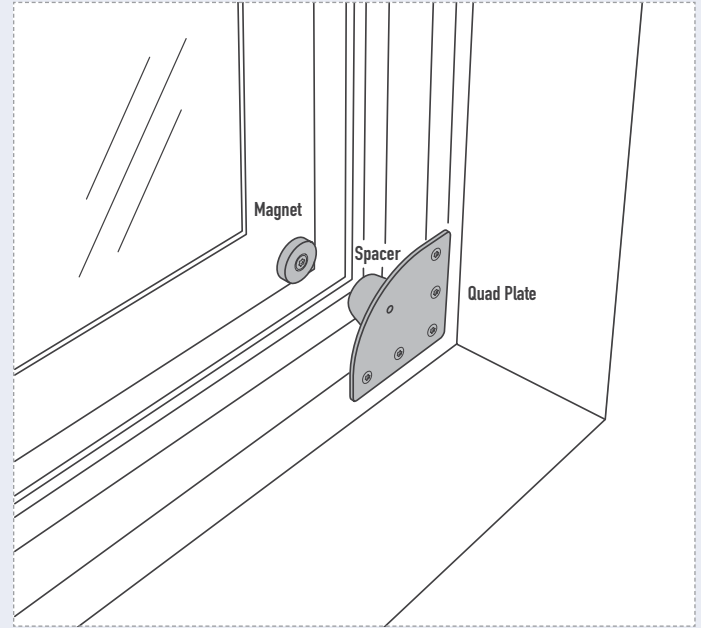
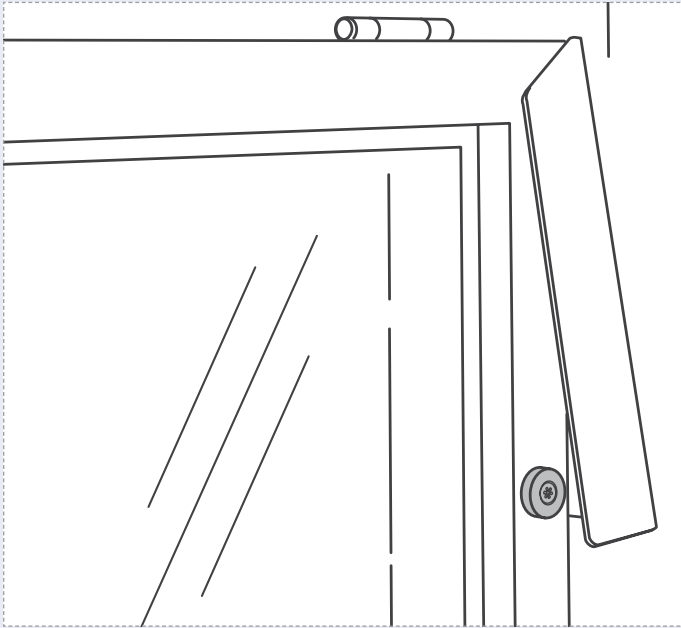
These two-part window restrictors are fully-adjustable and ideal for lower risk environments. They are both load and impact tested and provide a durable, anti-ligature solution for new and retrofit projects.

Each steel restrictor is treated to resist corrosion ensuring an extended lifespan and offers a cost-effective solution with reduced future maintenance costs.

The units are slim and unobtrusive in design and can be colour matched to blend in with the facility decor, assisting in creating a non-institutional aesthetic.

For more challenging environments we can offer bolt-through options.





Hold-open magnets

For windows that need to be held open for longer periods of time, we can offer a magnetic solution that avoids the usual ligature risks of standard window stays, protecting service users from self-harm.

These magnets require no power and while small in size, are very powerful. Installation is simple, quick and inexpensive, minimizing any disruption, especially in retrofit environments. With no moving parts, customers can be rest assured that there is nothing to break and therefore won't experience any maintenance issues.

Hold-closed magnets

During the refurbishment of a facility, existing windows can often need to be upgraded or updated. For example, casement stays may need to be removed.

Our hold-closed magnets provide a reliable alternative, ensuring that windows are kept firmly shut.

Due to the differing spaces between the vent and inner frame, these hold-closed magnets are always made-to-measure to suit your specific requirements.

Hold-closed magnets are suitable for windows without espagnolette locks and are ideal for refurbishing old windows. Where there is no locking mechanism available, this system is the ideal substitute.

Accessories: Load release anti-ligature fittings

Keeping service users and patients safe goes further than doors and windows - Areas and fixtures that seem normal to other uses can pose serious risks to vulnerable service users. We offer a range of load release anti-ligature fittings for bedrooms and bathrooms to enable you to create a homely yet safe environment for service users.

The products are lightweight, yet durable and are designed to look as close to the standard fittings you would find at home creating a greater sense of normality for users.

The release mechanism uses a spring hidden inside the anti-tamper casing. It provides a robust connection that only releases when needed – a simple concept that really works. The anti-ligature bracket is fixed to the wall or ceiling. When an abnormal load is applied, the lightweight fitting is released, with the components pushing back together afterwards.





Load release toilet roll holder

- Simple and discreet, designed to look like one you'd find at home
- Minimises accidental damage, fitting is only released under a downward load
- Fire resistant - special chemical prevents the moldings burning in just ten seconds, minimising the risk of vandalism and wider damage
- Available in a range of colours



Load release vanity shelf - corner

- Designed specifically for high aggression environments, this vanity shelf corner unit is lightweight and shatter-resistant, reducing danger for staff and service users
- Only releases under downward load - designed to minimise accidental detachments
- Thoroughly tested to DHF TS001 specification
- Fire-resistant - special chemical stops moldings burning in just ten seconds



Load release vanity shelf - straight

- Helps to create a normalised environment for service users, looks exactly like one you'd find at home.
- Lightweight and safe, the fittings detachable parts won't shatter into jagged pieces, reducing the risk of self-harm
- The detachable parts also make ineffective weapons, helping to minimise the risk to staff



Load release shower track

- Keeps bathrooms safer and drier while preserving service user dignity
- Brackets are made from shatter-resistant materials so they can be reused easily, even after repeatable detachment
- Available in a range of sizes and shapes
- Customisable layout to suit all shower facilities
- Easy glide tracks for daily use



Load release towel rail

- Anti-ligature and shatter resistant, balances safety with practicality, providing a robust connection that only releases when needed
- Built from strong high-performance ABS plastic
- Fitting won't shatter into jagged pieces, reducing the risk of self-harm
- Detachable parts are also lightweight, making ineffective weapons
- Looks just like the towel rails you'd find at home, helping to create a normal environment for service users



Load release curtain track

- Wide range of sizes and curtain layouts available superior safety whilst also protecting user privacy
- Track will release with any vertical load over 10kg
- Prevents damage to walls and ceilings as well as keeping service users safer
- Designed for practical day-to-day use
- Can be drawn quickly and easily and won't detach if pulled sideways
- Made from shatter-resistant materials, tracks can be easily pushed back together after detachment, reducing repair costs and saving time.



Load release soap dish

- Lightweight and safe
- Clever design ensures fitting is only released under a downward load, minimising accidental damage and helping make life easier for staff and service users
- The fittings detachable parts make ineffective weapons, reducing staff danger
- Fire-resistant – special chemical stops the moldings burning within ten seconds, minimising the risk of vandalism and wider damage



Load release towel ring

- Lightweight and discreet, this anti-ligature towel ring uses a spring hidden inside the anti-tamper casing, helping to provide a robust connection that only releases when needed
- The fittings detachable parts make ineffective weapons, minimising staff danger
- Available in a range of colours and sizes, it is designed to blend seamlessly into any environment
- Fire-resistant – special chemical stops the moldings burning within ten seconds



Load release wardrobe rail

- Lightweight and safe
- Anti-ligature and shatter resistant yet also provides practicality on a day-to-day basis
- Clever design - only released under a downward load, minimising accidental detachments
- Detachable parts are lightweight and make ineffective weapons, helping to improve safety for staff



Load release coat hooks

- Simple and discreet, only releases under a downward load, minimising accidental damage
- Built from strong, high-performance ABS plastic, the fittings won't shatter into jagged pieces, reducing the risk of self-harm
- Thoroughly tested to the DHF TS001 specification
- Available in a range of colours, designed to blend seamlessly into any environment

Accessories



Escutcheon set 34804

An anti-ligature escutcheon manufactured from solid stainless steel - Supplied with torx anti tamper bolt through fixings. Suitable for DIN standard lock cases.



Pivot point protector

Due to abuse, pivots can break out of the door making the door dangerous to users. Pivot protectors are fitted to the top and bottom of a door to prevent damage or to allow repair to damage already incurred.



Thumbturn & release 34807

An anti ligature thumbturn and release set which comes supplied with emergency release lever key. Also supplied with torx anti tamper bolt through fixings and an 8mm spindle. Suitable for DIN standard lock cases.



Coat hook 34808

An anti ligature coat hook manufactured from solid stainless steel with Torx anti tamper fixings supplied. Comes complete with an adjustable tension spring.



K09 Mounting plates

Many items may be converted to anti-ligature status by mounting them on these mounting plates. Available in 3 sizes, the plates are held vertically against the wall by the magnetic attraction of the brackets hidden behind.



K512 Soap dish

This anti-ligature soap dish is manufactured from steel with a polished satin finish. Mounted to a high quality moulded polycarbonate K09 (100x170mm) mounting plate (included).



K505PW Shower head holder

This magnetic shower head holder provides another anti-ligature solution for an area that may otherwise be difficult to monitor. High grade swivelling plastic provides support for many positions mounted to a high quality moulded polycarbonate K09 (100x170mm) mounting plate (included).



K512PW Soap dish

This anti-ligature soap dish is manufactured from high grade plastic. Mounted to a high quality moulded polycarbonate K09 (100x170mm) mounting plate (included).



K509PW Toilet roll holder

This magnetic toilet roll holder provides another anti-ligature solution for an area that may otherwise be difficult to monitor. High grade, lightweight swivelling plastic holder securely holds one toilet roll. Mounted on a high quality moulded polycarbonate K09 (100x170mm) mounting plate.



K514 Shelf set

This anti-ligature magnetic shelf is constructed from durable, shatter-proof polycarbonate with holes for individual item placement. The 270mm x 140mm shelf is mounted to two wall-fix brackets for a fully fail-safe solution.



K510 Soap dispenser

This durable, high quality stainless steel dispenser has non-drip, one shot action. Mounted to a high quality moulded polycarbonate K09 (190x335mm) mounting plate.



K515 Polycarbonate mirror

This anti-ligature polycarbonate mirror is designed to be virtually indestructible. Having the same dimensions as a K09 mounting plate (330x470mm) and incorporating 2 magnetic fixing points (included).



K511 Paper towel dispenser

This durable, high quality lockable stainless steel dispenser has a stock level indicator window. Mounted to a high quality moulded polycarbonate K09 (330x470mm) mounting plate.



Door closers

The ideal door closer solutions for high risk environments are those which provide no visible ligature points. In most instances floor springs and transom mounted units are the best solution. We have worked with our global partners to bring the best options to the market.



KD 9600

A concealed overhead cam action door closer suitable for use in Anti-Ligature environments.



KD TS550ER INVERS

A transom mounted floor spring for high traffic & heavy double action single leaf doors complete with electrical mechanical hold open.



KD Boxer Single Action EMFS

A fully concealed cam action, single action, free swing door closer by GEZE. Limited resistance from closer. Fire alarm activation - door closes.



KD TS550E-G

A GEZE floor spring for high traffic & heavy single leaf doors complete with electrical hold open, 577 series cover plate and lever with guide rail.



KD R100

A Samuel Heath powermatic concealed door closer.



KDTS550F-G

A GEZE floor spring for high traffic & heavy single leaf doors complete with 577 series cover plate and lever with guide rail.



KD BTS80FLB-4

A Dormakaba floor spring for high traffic & single leaf doors with electro hydraulic free swing (limited resistance from closer) and fire alarm activation



Anti-ligature specialist arm closers

KD-ARM072372

Compatible with KD-TS550E-G & KD-TS550F-G when using RDS removable anti-barricade doorstop

KD-ARM072374

Compatible with KD-TS550F-G when used for double-swing cross corridor doors



Anti-ligature handrails

Our handrails are specifically designed for use in mental health applications where patient and service user safety are paramount. Wall mounting handrails offers a high level of direct pedestrian guidance and rest support whilst minimising ligature risks.

Our range of handrails offer both premium, reliable quality and antibacterial properties and are available in a variety of colour or wood effect finishes to blend in with the overall aesthetic of your facility.

Anti-Ligature Inpro IPC PVC handrails

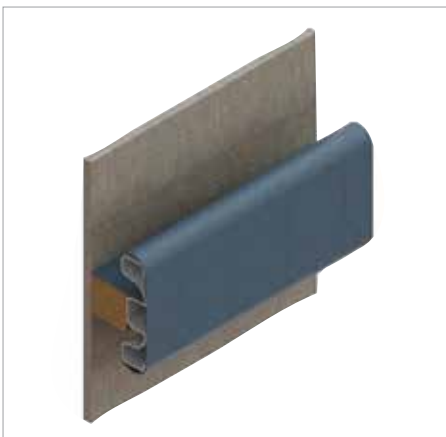
These handrails have been specifically developed for use in all mental health applications where there is a risk of ligature. They have been designed to be fixed without leaving a gap behind the rail, it features a continuous full length bracket which greatly reduces any potential ligature risk.

Offering comfortable grip dimensions to provide good pedestrian support and safety, these Anti-Ligature Handrails have a larger surface area than a normal handrail, Hygienic and easy to clean, it is also designed to offer protection against impact from wheeled traffic.



Product specification

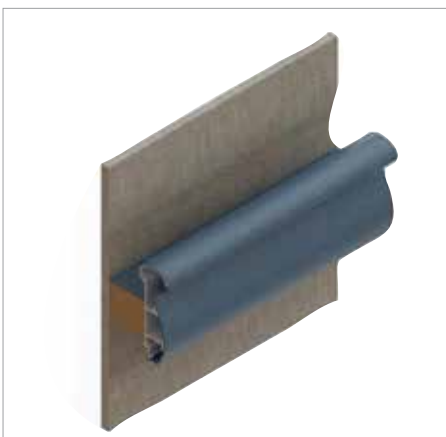
- **Anti-ligature handrail ref:** WAL-01, WAL-02, WAL-03
- **Fire rating:** Tested in accordance with EN ISO 11925-2:2002 and EN 13823:2002 and classified according to EN 13501-1:2002 as Reaction to Fire classification B-s3,d0
- **Hygiene:** Tested in accordance with BS EN ISO 846:1997. Plastics - evaluation of the action of micro-organisms. The results show that the products as tested did not support bacterial growth
- **Chemical resistance:** Tested in accordance with BS2782:Part 8. Method 830A:1986. ISO175:1981. Plastics determination of the effects of liquid chemicals including water. The results show that the products as tested are resistant to most commonly used chemical solutions.
- **Colour / Finish:** 34 standard colours plus wood effect options available
- **Accessories:** End Returns
- **Fixing:** As per manufacturers installation instructions



WAL-01 IPC PVC handrail

The WAL-01 handrail offers a sleek design that's rounded on the top and bottom of the handrail backed by an aluminium retainer

- Order code: WAL-01
- Product description: Anti-ligature combi-rail timber baton & PVC-u cover, 36mm diameter
- Height: 139mm
- Length: 136mm
- Available in: Solid colour PVC / Wood effect PVC



WAL-02 IPC PVC handrail

The WAL-02 handrails innovative style fills the size gap between small handrails that offer no wall protection and large handrails that provide more protection than you may need.

- Order code: WAL-02
- Product description: Anti-ligature combi-rail timber baton & PVC-u Cover, 41mm diameter
- Height 110mm
- Length: 3660mm
- Available in: Solid colour PVC / Wood effect PVC



WAL-03 IPC PVC handrail

The WAL-03 handrail is a two-part system so the handrail can be a different colour to the crash rail if desired. The top section and thumb insert provide superior grip whilst the bottom high impact bumper protects the walls from damage.

- Order code: WAL-03
- Product description: Anti-ligature combi-rail timber baton & PVC-u cover, 38mm diameter
- Height: 146mm
- Length: 3660mm
- Available in: Solid colour 1 tone PVC / Solid colour 2 tone PVC



Additional products

In mental health facilities, service users can be at risk of self harming from hot surface temperatures, sharp edges and ligature points on everyday installations such as radiators, pipework, ventilation grilles, TRVs as examples. For the safety of users and staff we work with our clients to provide solutions to minimise the dangers associated with these installations through carefully designed protective covers and guards.



Anti-ligature radiator guards

- Slimmest full access radiator guard on the market: a 20mm reduction in depth
- Anti-bacterial powder coating
- Complete mesh grill, removing the requirement for a secondary mesh which traps the heat
- The warmest part of the radiator guard is the front edge, which many manufacturers do not provide a grill in this area due to the difficulties of following a radius profile. The grill follows the complete front profile of the guard,
- Lateral movement - we an improved locking system, which prevents lateral movement in the guard
- Chamfered top and sides to help reduce the impact of falls



Full frame anti-ligature radiator guards

- Removes access to ligature points from radiators, pipework and valves
- Reduces the risk of burns against hot radiator surfaces
- Minimises the impact of falls against sharp radiator corners
- An abundance of fixing points ensures a secure installation
- A full framework where anti-pick mastic can be applied - reduces ligature points
- Solid construction ensuring a prolonged service life
- Attractive looks rejuvenate existing radiators
- Allows quick access for cleaning and maintenance to be conducted



Anti-ligature TRV covers

- Designed to reduce ligature risk with TRV's
- Encloses TRV's to protect against damage
- Tough metal design
- Sloping sides reduce the ligature risk
- Hidden fixings help prevent covers being tampered with
- Fully finish design means no site finishing
- Hygienic anti-bacterial coating
- Ventilation holes for accurate temperate sensing



Anti-ligature ventilation grilles

- Designed specifically for mental health environments
- Reduces the ligature risk from open grille types on standard ventilation grilles
- Stylish design looks pleasant in mental health facilities
- Anti-bacterial powder coating helps prevent the spread of harmful bacteria
- Quick access for cleaning or maintenance without damaging paintwork or anti-pick mastic seal
- Tough structure using quality material, helps withstand impact
- Hidden wall fixings, with security fixings to remove the front grille



Anti-ligature smoke detector protectors

- Designed to protect smoke detectors from damage
- Reduces the risk of smoke detectors being used as a ligature point
- Solid metal structure gives greater impact resistance
- Holes for sensing on all five sides helps ensure correct operation of smoke detector
- Detachable front face allows access for maintenance
- Sloping slides cause ligature material to simply slide off
- Powder coated finish gives an appealing look



Anti-ligature TV unit covers

- Slimline design ensures effective space utilisation
- Quick access door with security locks, allowing only authorised access
- Ventilation grilles ensuring the TV or display screen stays cool
- Sloping top and base ensuring potential ligature points are reduced
- Sized to suit exact model of screen - no need to purchase an oversized cabinet
- Polycarbonate viewing screen - withstands high levels of impact
- Resilient construction ensuring the most challenging behaviour is overcome
- Durable powder coated finish giving an aesthetically pleasing finish

KCC GROUP

Dublin | Cork | Belfast | Dubai

E. solutions@thebccgroup.com

W. thebccgroup.com