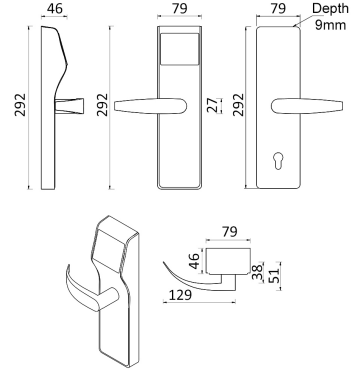


Description

Onity Trillium™ RFID Contactless Electronic Battery Operated Hospitality Lock. Granada Trim



Technical Features

Function & Operation Battery operated electronic hospitality lock where each new guest card overrides any previous immediately preventing re-entry using an old card. Guest privacy provided via the use of internal thumbturn.

Summary of Features See advanced features

Options Special version for outdoor use (Satin Chrome or Dark Bronze finish). Various handle designs. As standard the Lock can operate in modes of 'normal' 'office' or 'free passage' and can accommodate masterkeying and staff shifts.

Dimensions

Dimensions H292mm x W79mm x D46mm

Finishes

Finishes Available Satin Chrome, Polished Chrome, Satin Brass, Antique Brass, Polished Brass, Satin Nickel & Dark Bronze

Certification

European Norm	hEN14846
Product Classification	③M②C①B①①①
EC Certificate of Conformity No.	1239/CPR/0814201
Certifire No.	n/a
Declaration of Performance	DoP 001
Other Test Evidence	EN1634 Fire Tested

BIM Assist™

CE

BC(A)R Assist™*

Guarantee

1 Year

Last Reviewed

25/11/2016

* ROI Only

For the purpose of continual product development, KCC reserves the right to change specifications without notice. Please accept all dimensions as approximate. E&OE. © KCC Group 2022.

Description

Onity Trillium™ RFID Contactless Electronic Battery Operated Hospitality Lock. Granada Trim



Features

- Contactless Mifare® Plus card & reader technology
- Compatible with Onity HT22, OnPoint & HT24W locking systems
- Supplied with 4 x AA batteries providing two years of battery life (approximate)
- Non-volatile memory records last 500 opening details
- DirectKey-ready: Bluetooth® module can be shipped on board or added later
- LEDs indicate lock status including low battery warning

Description

Onity Trillium™ RFID Contactless Electronic Battery Operated Hospitality Lock. Granada Trim



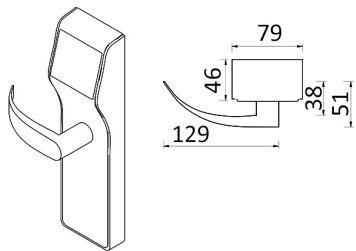
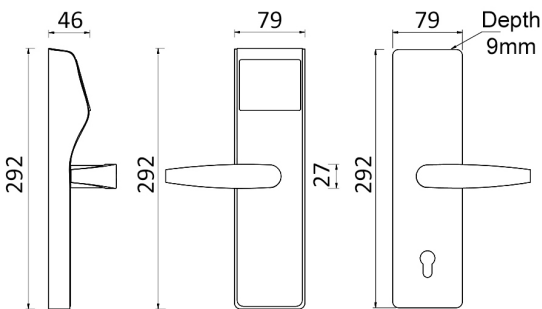
Specification Text

ELECTROMECHANICALLY OPERATED LOCKS AND STRIKING PLATES

- Manufacturer: Onity
- Product reference: KAC-ON/TRILLIUM RFID GRA
- Type: Trillium™ RFID Contactless Electronic Battery Operated Hospitality Lock. Granada Trim c/w 5470H or 5480H Lockcase
- Size: Reader H292mm x W79mm x D46mm
- Material/ finish: [SPECIFY FINISH]

PERFORMANCE SPECIFICATION FOR ELECTROMECHANICALLY OPERATED LOCKS AND STRIKING PLATES

- Standard: To BS EN 14846.
- Minimum classification grades:
- Category of use: 3
- Durability: M
- Door mass and closing force: 2
- Suitability for use on fire/ smoke doors: C
- Safety: 0
- Corrosion resistance and temperature: B
- Security : 1
- Security electrical function : 0
- Security electrical manipulation : 1
- Material/ finish: [SPECIFY FINISH]



For the purpose of continual product development, KCC reserves the right to change specifications without notice. Please accept all dimensions as approximate. E&OE. © KCC Group 2022.