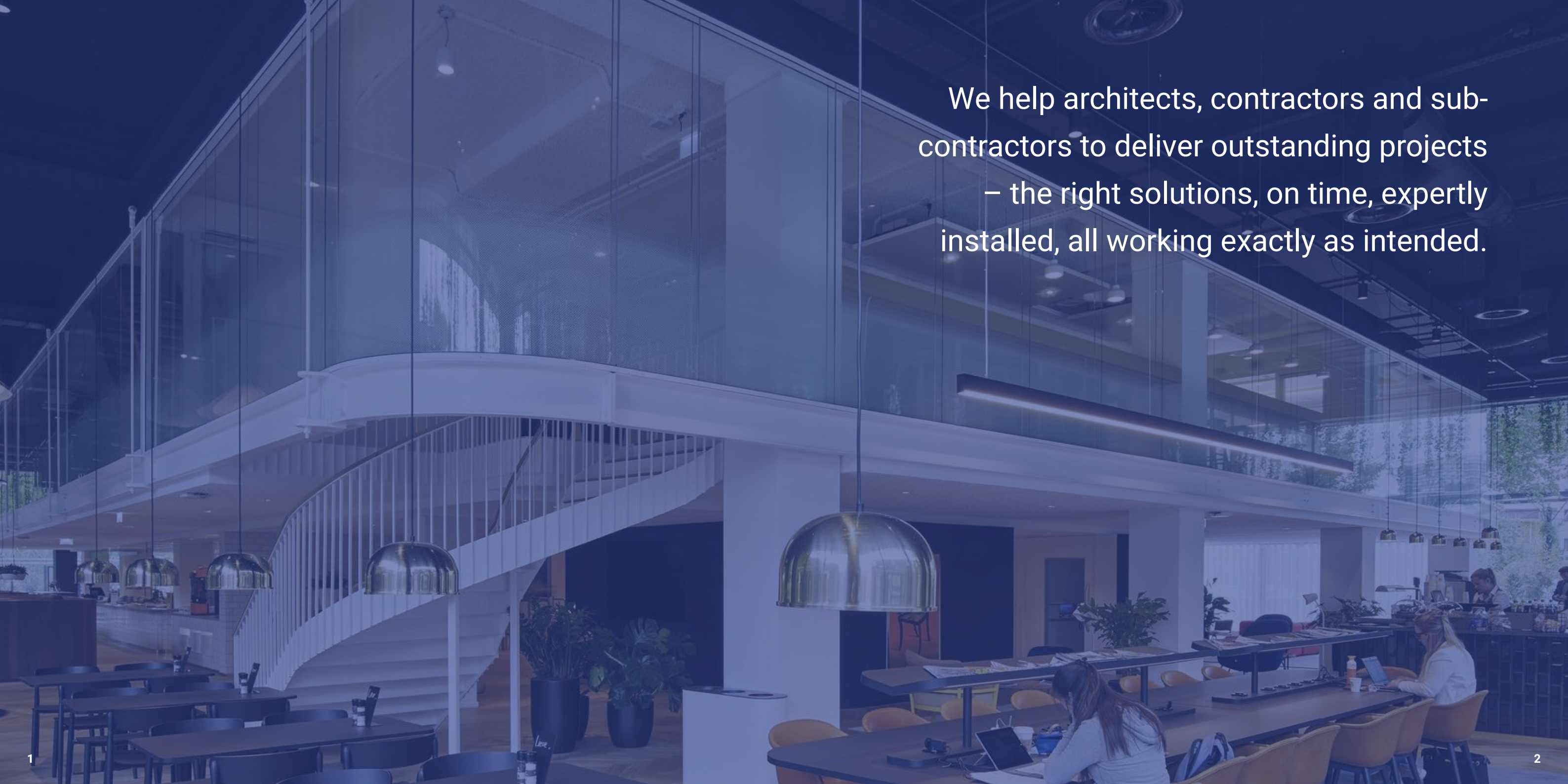




Build easier
Build better
Build with KCC



We help architects, contractors and sub-
contractors to deliver outstanding projects
– the right solutions, on time, expertly
installed, all working exactly as intended.

About Us

**Over 30 years
expertise**



Our purpose is to help make buildings work

Why Us?



The knowledge and the products to support your innovation.

Access 30 years of expertise and a comprehensive range of product including multiple high-specification, unique product ranges.



The expertise and technology to provide a complete and compliant specification.

Every detail, every document, fully managed, for every opening. Helping to deliver the optimal and compliant solution, making your job easier and keeping everyone on the same page.



The scale to deliver and support quality, best-fit, large scale solutions at very competitive prices.

Our own 2,000 square metre manufacturing facility in Dublin and our own expert installation team.



The capability and commitment to deliver on time, install without hassle and ensure everything works exactly as intended.

A dedicated, highly trained and expert team ready to deliver.

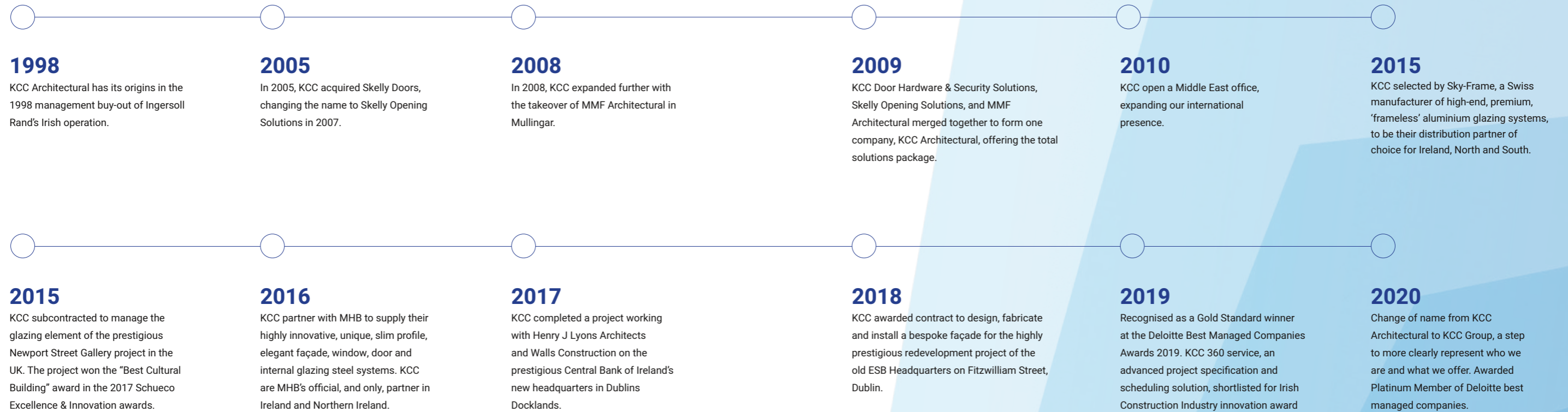


The team to ensure all stays working as intended.

We install, service, repair and maintain all types of automatic and manual door solutions including industrial doors, fire doors, roller doors, security locks, partitions, sliders and entrances. With 24-hour call out facility 365-days of the year.

Our Journey

From ironmongery provider to total solutions partner.





We've built up an experienced, dedicated team committed to understanding both how buildings work and how people use buildings.

And we focus on the detail, on getting every aspect right, from specification to installation. Our product range and expertise has evolved over the years to enable us to become a total solution provider for both architects and contractors.

Chris Kilpatrick, Managing Director

End-to-end solutions from KCC

With 30+ years expertise, a broad solution offering, a nationwide specification and installation team, and our own manufacturing facility, we have the scale and strength to deliver on even the most complex projects.

Automatics &
Access Control



Facades,
Partitions & Doors



Door
Hardware



Service &
Maintenance





Automatics & Access Control

Complete end-to-end solutions

Door Solutions

Steel, timber, concealed and sliding door sets.

Automatic Door Solutions

Swing, revolving, sliding, curved, telescopic, folding, hermetically sealed and cleanroom doors.

Access Control Solutions

Speedlanes & turnstiles, electronic & hospitality locking systems, access control systems, and audio/video entry systems.

Window Actuators, Vents & Controls

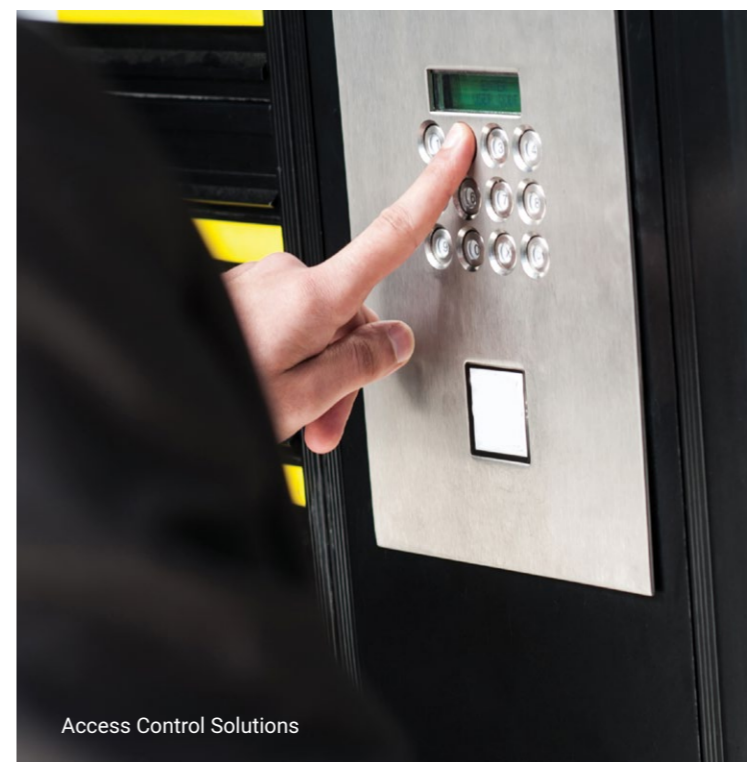
Solutions that include smoke and/or natural ventilation systems, window actuators and controls.



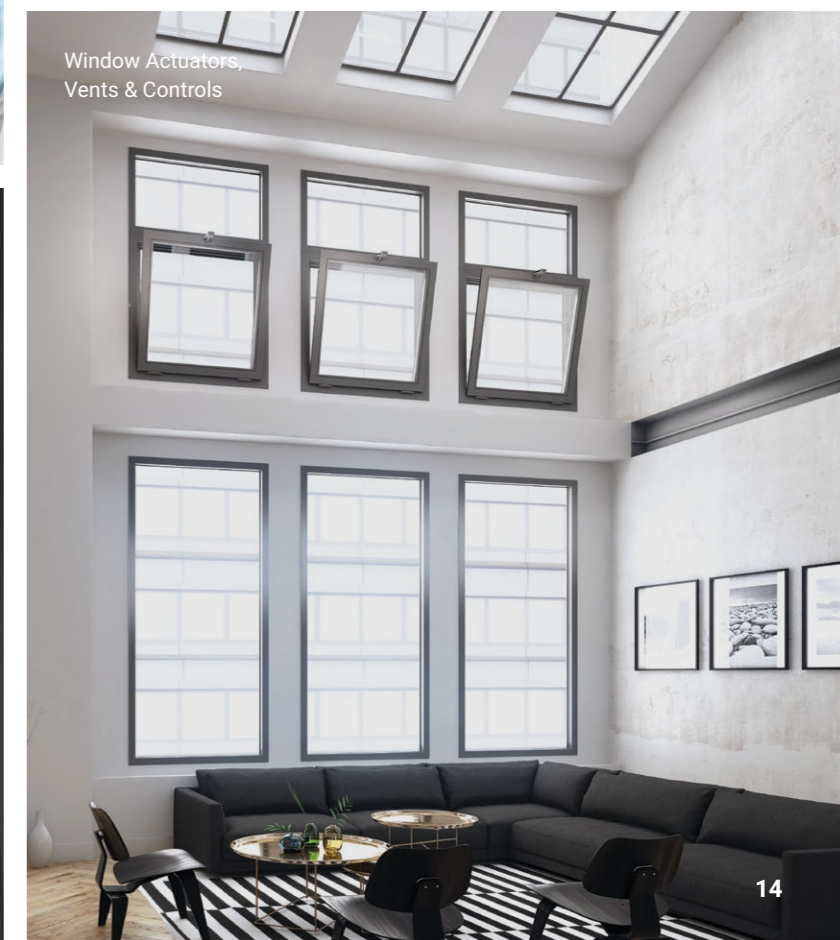
Door Solutions



Automatic Door Solutions



Access Control Solutions



Window Actuators, Vents & Controls



Facades, Partitions & Doors

Custom, slim-frame solutions

Slim-Frame Steel Systems

The world's slimmest steel profile systems – minimal sightlines and stunning aesthetics.

Frameless Sliding Window & Door Systems

Sky-Frame, Swiss-made frameless, flush, stylish systems.

Glazed Fire Screens

Fire rated glazing systems with maximum glazed elements and minimal profiles.

Wall Systems

Glazed or solid, smooth minimalist design, fire rated and acoustic.



Slim-Frame Steel Systems



Frameless Sliding Window & Door Systems



Glazed Fire Screens



Wall Systems



Door Hardware

Over 20,000 product lines in stock

20,000 products stocked and ready for immediate delivery.

Products include: Closing devices, panic exit devices, cylinder locks, locks & latches, hinges and specialist products for specific or high-risk environments such as anti-ligature hardware and accessories.



Closing Devices



Door Furniture



Locking Solutions

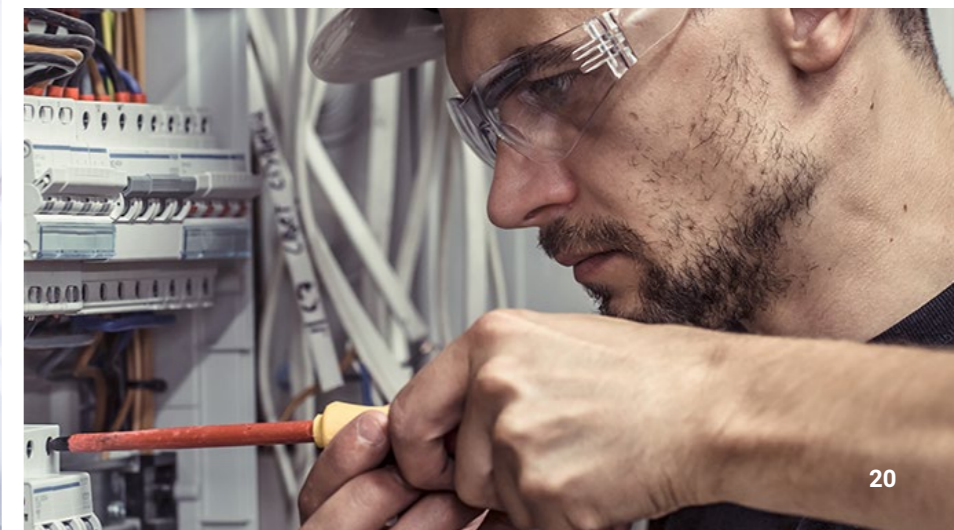


Service & Maintenance

Tailored packages with 24/7 support

Industry tailored packages with 24/7 support and emergency response available.

Third party accredited fire door inspections, comprehensive reports and supporting remedial works.



“

KCC provide a one-stop shop for us – they audit, report and repair. Their advice is specific, clear and their pricing transparent. A good, reliable, very professional service, and most importantly, the feedback from our end clients is positive.

Facilities Management Company, Ireland





Mastering the detail with KCC



Mastering detail

KCC 360, an end-to-end, intelligent, highly-detailed, specification and scheduling solution. Saving both architects and builders a huge amount of time and hassle.



How we do it

1 Crystal clear, easy to follow, easy to review, colour coded floor plans.

We colour code every element of your floor plan, identifying the key elements of the access strategy. Providing a clear picture of your project, speeding project reviews and helping to determine if the plans need to be adjusted.

2 Every set and component mapped in your Project Sets Submittal.

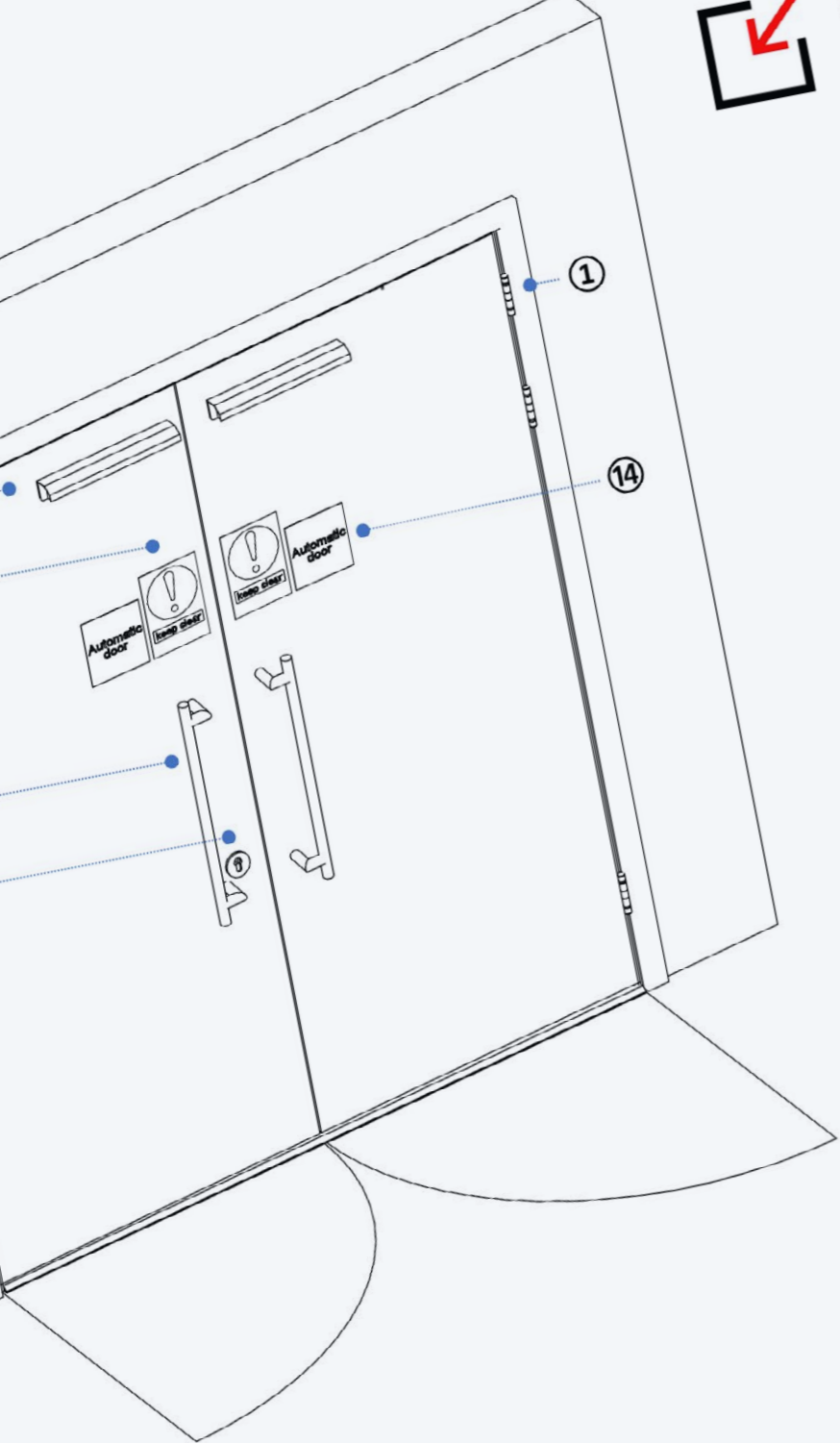
We map out all the elements and components that make up your project in the Project Sets Submittal. All sets and components include the relevant colour coded key from the floor plans, so that you can easily relate each element back to its location in the overall plan.

3 Detailed isometric drawings in your Design Submittal.

Showing the exact functionality of all components, allowing you to determine if the functions of that set match the exact requirements for that location in the building, speeding reviews and ensuring all functionality is carefully considered.

4 All datasheets, specifications and certificates in your Technical Submittal.

Datasheets, specification text, certifications and warranties, for every component, every element & every set, of your project. All the technical information in one book, ready first time, for one review and approval. No need for multiple reviews and no need to chase the detail.



These doors are locked by deactivating the flush bolts on the Keyswitch (12).

The door user activates the lock (3).

When these doors are pulled open via the pull

Set Contents

- ① Hinges
- ② Cylinder Lock
- ③ Electric Lock*
- ④ Deadlock*
- ⑤ Flush bolt and Dust
- ⑥ Swing Door Oper
- ⑦ Pull Handles
- ⑧ Kicking Plate*
- ⑧ Roller Finger Gu
- ⑨ Safety Sensors
- ⑩ Press to Open
- ⑪

*Not illustrated

Compliance

All appropriate datasheet

The complete dimension details. T



Access technical specs for 2,500+ products

Over the past number of years we've collated and digitised the technical specifications of more than 2,500 products - empowering your team and ours with instant access to all the detail they require. A huge online library of datasheets, specifications, certifications, warranties, and more. All the detail you need at your fingertips, all available for immediate access at thekccgroup.com.



“

We've a great relationship with KCC. Their planners and specifiers are always so helpful and both their detailed drawings and their specification documentation are a huge help.

Olivia Safer, Aughey O'Flaherty Architects

Who we help

**The right solutions, on
time, expertly installed**

How we help
Architects & Specifiers

Vision to reality

Here to help you deliver outstanding buildings.

- ✓ Extensive specification support
- ✓ Access to many specialist solutions
- ✓ Every aspect considered, every detail specified
- ✓ Access to specs on 2,500 products
- ✓ The scale to deliver on your most complex projects
- ✓ 30 years of expertise shared through CPD training



How we help
Contractors & Sub-contractors

Build easier. Build better. Build with KCC.

The right solutions, the right products, the right service, the right price.

- ✓ The scale and expertise to deliver on your largest projects
- ✓ An expert team with 30+ years of experience
- ✓ Multiple packages, competitively priced
- ✓ Over 20,000 product lines in stock
- ✓ Clear, complete documentation
- ✓ Access to specialist solutions



How we help

Building managers & FM companies

Maintaining buildings and protecting compliance

Expert servicing, maintenance and inspection of all automatic doors, fire doors, locking, partitions and movable walls, and more.

- ✓ All engineers accredited and trained to the highest standards
- ✓ A huge range of product serviced, maintained, and inspected
- ✓ The scale to deliver nationwide, 24/7 support
- ✓ Helping you to stay fully compliant
- ✓ Quick turnaround for replacement parts



How we help
Building Owners

The right build with KCC

Expert advice to meet legislation and compliance demands.

- ✓ Experts in specification
- ✓ A specialist team with 30+ years expertise
- ✓ Access to specs on 2,500 products
- ✓ Planning effective, practical strategies
- ✓ Access to many specialist solutions



“

I order my products months in advance of when they're needed on site. I need someone I can trust and is flexible enough to store this for me, and deliver to site when needed and without hassle. KCC go over and above for us.

Stephen O'Callaghan, Ganson



Dublin | Cork | Belfast | Dubai

E solutions@thekccgroup.com

W thekccgroup.com

KCC
GROUP