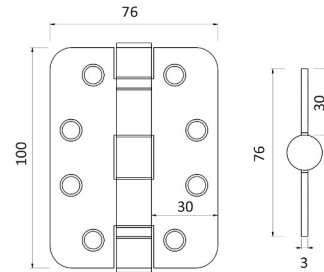


Description

KCC Grade 316 Stainless Steel Ball Bearing Hinge Grade 13



Technical Features

Door Thickness Minimum (mm)	44.00
Maximum Leaf Weight (kg)	120.00
Classification	13.00
Material	Grade 316 Stainless Steel
Enhanced Security	By WeldCap Secure Fix System
Fixing Preparation	Pozi Wood Screw No.12 x 1-1/4
Fixings Included	Yes

Dimensions

Dimensions A (mm)	100
Dimensions B (mm)	30
Dimensions C (mm)	76
Dimensions D (mm)	3

Finishes

Finishes Available	Satin Stainless Steel, Polished Stainless Steel,
--------------------	--

Certification

European Norm	hEN1935
Product Classification	④⑦⑥①①④①③
EC Certificate of Conformity No.	See DoP
Certifire No.	CF336
Declaration of Performance	G13-10276BB
Other Test Evidence	Fire: FD30 - FD60 Timber Doorsets FD240 Steel Doorsets

BIM Assist™

CE

Certifire

BC(A)R Assist™*

Guarantee

10 Years

Last Reviewed

05/08/2016

* ROI Only

For the purpose of continual product development, KCC reserves the right to change specifications without notice. Please accept all dimensions as approximate. E&OE. © KCC Group 2020.

Description

KCC Grade 316 Stainless Steel Ball Bearing Hinge Grade 13



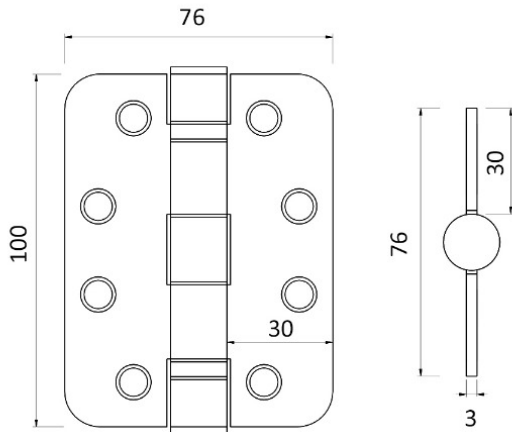
Specification Text

310 SINGLE AXIS DOOR HINGES

- Standard: To BS EN 1935.
- Hinges to doors on escape routes and fire/ smoke control doors: CE marked.
- Manufacturer: KCC Group
- Product reference: KH-1002R
- Type: Ball Bearing Hinge
- Size: 100mm x 76mm x 3mm
- Material/ finish: Grade 316 Satin Stainless Steel
- Hinge grade: 13
- Other requirements: n/a

315 PERFORMANCE SPECIFICATION FOR SINGLE AXIS DOOR HINGES

- Standard: To BS EN 1935.
- Hinges to doors on escape routes and fire/ smoke control doors: CE marked.
- Minimum classification grades:
- Category of use: 4
- Durability: 7
- Test door mass: 6
- Suitability for use on fire/ smoke doors: 1
- Safety: 1
- Corrosion resistance: 4
- Security - Burglar resistance: 0
- Hinge grade: 13
- Type: Ball Bearing Hinge
- Size: 100mm x 76mm x 3mm
- Material/ finish: Grade 316 Satin Stainless Steel
- Other requirements: n/a



For the purpose of continual product development, KCC reserves the right to change specifications without notice. Please accept all dimensions as approximate. E&OE. © KCC Group 2020.