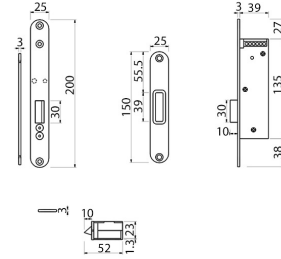


Description

Abloy Electric Lock, Narrow Style with Motor



Technical Features

Function	When door closes, bolt latches into the striking plate and when power is applied the latchbolt deadlocks. Reliably unlocks under side pressure of up to 5000N
Security Features	10mm deadlatch throw. Resistant of 5,000N against door being forced.
Monitoring	Monitoring of deadlatch in locked or unlocked position.
Compatible Hardware	Lever Handle(s): n/a.
Specification Alert	n/a
Fail Locked/Unlocked	Fail Unlocked.
Operating Voltage	Site determined 12v or 24v DC (+10% -10%)
Current Draw	Continuous: 480mA @ 12VDC, 270mA@ 24VDC. With Motor 880mA & 520 mA,
Follower Size (mm)	n/a

Door Material Wood or metal.

Non Handed Yes.

Dimensions

Size A x B x C (mm) See drawing

Size D x E x F x G (mm) n/a

Other Size Options No

Finishes

Main Finish n/a

Forend Finish Stainless Steel

Certification

European Norm	No Harmonised European Norm
Product Classification	n/a (No Harmonised European Norm)
EC Certificate of Conformity No.	n/a (No Harmonised European Norm)
Certifire No.	No
Declaration of Performance	n/a (No Harmonised European Norm)
Other Test Evidence	30 Minute Fire Resistance Exova 350641A

BIM Assist™

BC(A)R Assist™*

Guarantee **2 Years**

Last Reviewed 05/08/2016

* ROI Only

Description

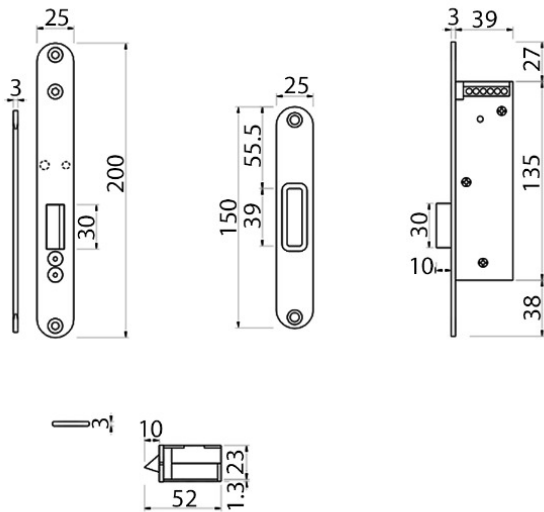
Abloy Electric Lock, Narrow Style with Motor



Specification Text

ELECTROMECHANICALLY OPERATED LOCKS & STRIKING PLATES NOT FIRE OR PERFORMANCE RATED

- Manufacturer: Abloy
- Product reference: KEL-351 M80
- Type: Abloy Electric Lock, Narrow Style with Motor
- Material/ finish: [SPECIFY FINISH]
- Additional requirements: n/a



For the purpose of continual product development, KCC reserves the right to change specifications without notice. Please accept all dimensions as approximate. E&OE. © KCC Group 2020.