

Description

KCC Premium, Restricted Single & Turn Cylinder 3030

**Specification Alert**

The following guidelines are provided so as to explain the security and capacity differences between KCC Restricted and KCC Patented master keyed Cylinders. If in doubt please contact our office for further details.

Protection against Unauthorised Key Duplication

- PATENTED: Extensive protection with legal recourse against those that sell pirate keyblanks
- RESTRICTED: Limited and no legal recourse against pirate blanks

Master Key System Complexity & Size

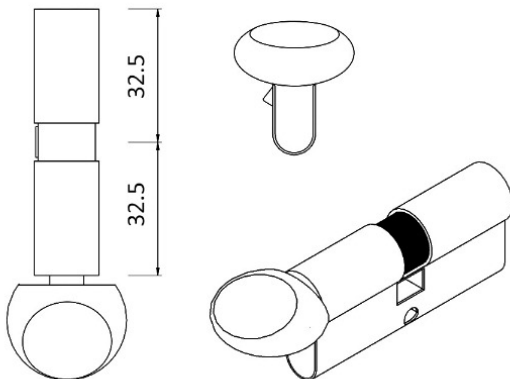
- PATENTED: Large & complex systems
- RESTRICTED: Sub Masters and differs per sub master, select ONE scenario from the following (note common entrance keying will significantly reduce the following) :
 - Master, 2 sub masters, 325 differs
 - Master, 4 sub masters, 250 differs
 - Master, 6 sub masters, 100 differs
 - Master, 10 sub masters, 80 differs

Description

KCC Premium, Restricted Single & Turn Cylinder 3030



KC-9410



Specification Text

CYLINDER LOCKS

- Standard: To BS EN 1303
- Manufacturer: KCC Group
- Product reference: KC-9410
- Type: Premium, Restricted Single & Turn Cylinder
- Size: 32.5/32.5 65mm Length
- Material/ finish: [SPECIFY FINISH]
- Keying: Masterkeyed
- Additional requirements: [SPECIFY ADDITIONAL OPTIONS]

PERFORMANCE SPECIFICATION CYLINDER LOCKS

- Standard: To BS EN 1303
- Minimum classification grades:
- Category of use: 1
- Durability: 6
- Door mass: 0
- Suitability for use on fire/ smoke doors: 1
- Safety: 0
- Corrosion and temperature resistance: C
- Key related security: 6
- Attack resistance: 0
- Material/ finish:[SPECIFY FINISH]
- Keying: Masterkeyed