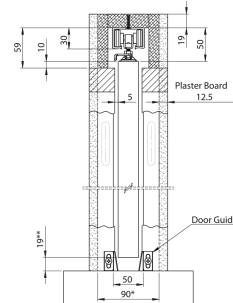


Description

Coburn Hideaway Sliding Door Pocket up to 90kg



*N.B. Add 5mm if frame adapter kit is used (i.e. for doors 35mm to 44mm)
**Allows for carpets + underlay

Technical Features

Function & Operation Hideaway is a sliding door framing kit suitable for plasterboard walls, created to conceal sliding doors within a wall cavity. Hideaway is able to recover the space normally occupied by traditional hinged doors and is a simple but perfect solution for lightweight sliding pocket doors.

Summary of Features Maximum weight of 90kg. Components included are shown in the kit contents section.

Options See extended features

Dimensions

Dimensions See extended features

Finishes

Finishes Available n/a

Certification

European Norm No Harmonised European Norm

Product Classification n/a (No Harmonised European Norm)

EC Certificate of Conformity No. n/a (No Harmonised European Norm)

Certifire No. n/a (No Harmonised European Norm)

Declaration of Performance n/a (No Harmonised European Norm)

Other Test Evidence n/a

BIM Assist™

BC(A)R Assist™*

Guarantee

1 Year

Last Reviewed

08/01/2018

* ROI Only

For the purpose of continual product development, KCC reserves the right to change specifications without notice. Please accept all dimensions as approximate. E&OE. © KCC Group 2020.

Description

Coburn Hideaway Sliding Door Pocket up to 90kg



Features

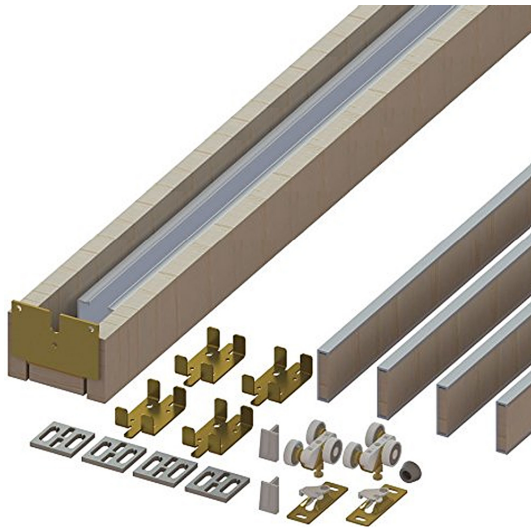
- Pocket door framing kit for internal timber doors up to 90kg
- Hideaway enables you to recover the space normally occupied by traditional hinged doors by sliding doors within a wall cavity
- Multiple floor guiding options available to suit different environments all free from the need for floor channel leaving a clear threshold
- Cavity widening kit available to increase maximum door thickness to 50mm
- Soft closing options available to suit any door size including concealed soft closing
- Simultaneous operation and hold open functionality available



Technical Characteristics

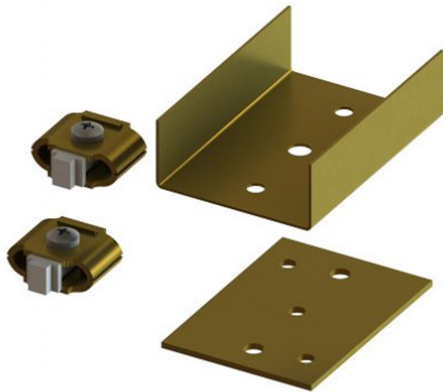
- Maximum door weight: 90kg
- Maximum door height: 2724mm
- Door Thickness: 35 – 44mm*
- Track Dimensions: W89mm x H60mm

* Can be increased to 50mm see 61601 below



Pocket Door Kits (Excluding Jamb Kit)

- 61730: H30, to suit door size 760 x 2032mm and for doors up to 56kg
- 61736: H36, to suit door size 915 x 2032mm and for doors up to 56kg
- 61742: H42, to suit door size 1067 x 2032mm and for doors up to 90kg
- 61842: H42A, to suit door size 1067 x 2743mm and for doors up to 90kg
- 61848: H48A, to suit door size 1219 x 2743mm and for doors up to 90kg
- 61854: H54, to suit door size 1371 x 2743mm and for doors up to 90kg
- 61860: H60A, to suit door size 1524 x 2743mm and for doors up to 90kg
- **Kits contain:**
 - 1 x Header assembly
 - 4 x Steel wrapped studs
 - 2 x Stud foot bracket
 - 2 x 3 wheel hangers (61604/61607)
 - 2 x Hanger mounting plates (61605)
 - 1 x Rubber door stop (61606)
 - 2 x Nylon bottom guides (61910)
 - 1 x Adaptor kit for 35mm door to 44mm door (61601)



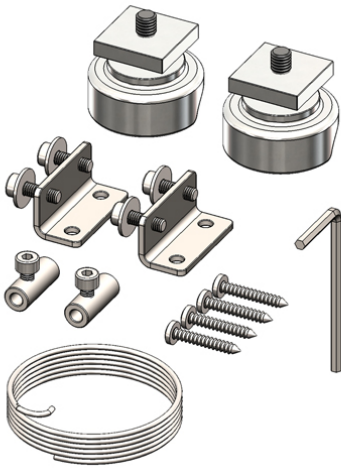
Header Connector

- 61600: Hideaway connector for connecting two header assemblies where two bi-parting doors are required



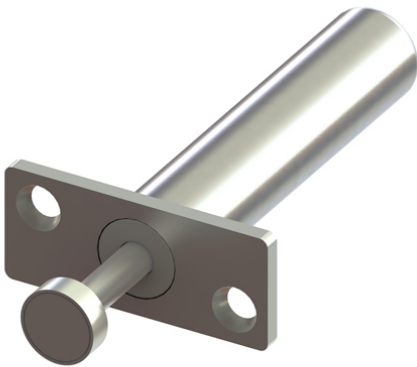
Cavity Widening Kit

- 61601: Hideaway cavity widening kit required for doors up to 50mm thick



Synchro Kit

- 61405: Simultaneous door synchronising kit, rated to 90kg (or simultaneous opening and closing of two sliding doors)



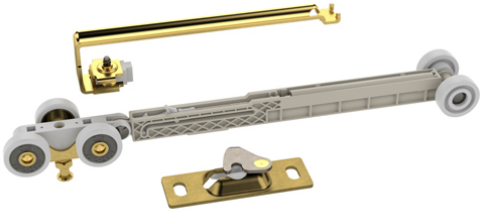
Magnetic Piston

- 95604: When the door is in the open position, a gently push towards open will spring the door back in the direction of closed, revealing the handles and to allow the door to be closed



Soft Closer 56kg

- 30621: Soft closer, single damper, 56kgs (mounted in track)



Soft Closer 90kg

- 30636: Soft closer, single damper, 90kgs (mounted in track)

Description

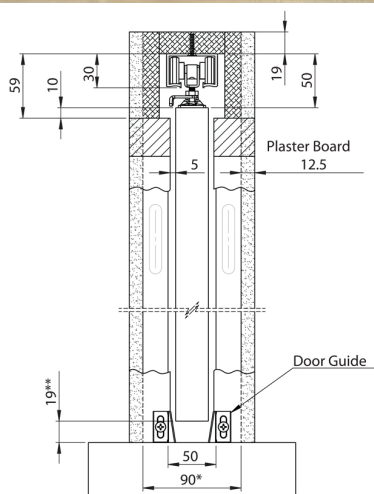
Coburn Hideaway Sliding Door Pocket up to 90kg



Specification Text

GENERAL HARDWARE

- Manufacturer: Coburn
- Product reference: [SPECIFY KIT REFERENCE]
- Type: Hideaway Pocket Door System
- Size: See drawings
- Material/ finish: n/a



*N.B. Add 5mm if frame adapter kit is used
(i.e. for doors 35mm to 44mm)

**Allows for carpets + underlay