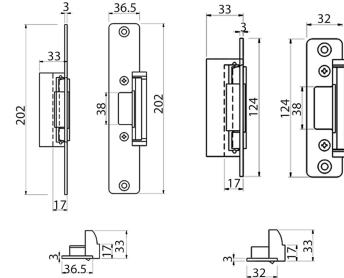


**Description**

KCC ANSI Electric Strike Site Selectable Fail Lock / Fail Open. Supplied with Long & Short Faceplates



**Technical Features**

Function & Operation	Electric Strike
Summary of Features	2000lbs jaw strength pulling test, site selectable fail lock / fail open. Site selectable 12 or 24v DC, status LED lights, stainless steel faceplate, current draw 250mA @ 12vDC & 150mA @ 24vDC. Operating temperature -10 to 45 degrees C

Options n/a

**Dimensions**

Dimensions Long Plate: L202 x W36.5 x D33. Short Plate: L124 x W32 x D33

**Finishes**

Finishes Available Stainless Steel

**Certification**

European Norm	No Harmonised European Norm
Product Classification	n/a (No Harmonised European Norm)
EC Certificate of Conformity No.	n/a (No Harmonised European Norm)
Certifire No.	n/a (No Harmonised European Norm)
Declaration of Performance	n/a (No Harmonised European Norm)
Other Test Evidence	n/a

**BIM Assist™**

**BC(A)R Assist™\***

**Guarantee**

**1 Year**

Last Reviewed

09/01/2020

\* ROI Only

*For the purpose of continual product development, KCC reserves the right to change specifications without notice. Please accept all dimensions as approximate. E&OE. © KCC Group 2020.*

## Description

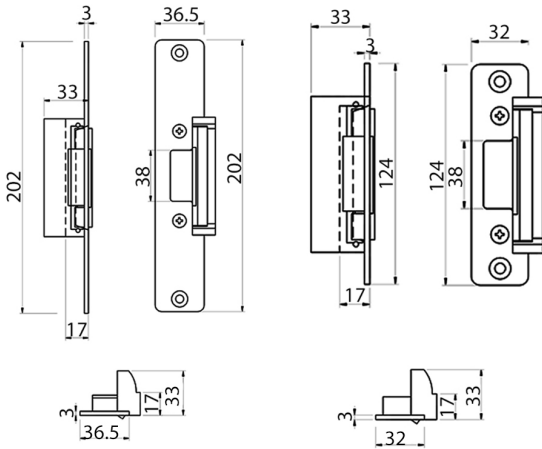
KCC ANSI Electric Strike Site Selectable Fail Lock / Fail Open. Supplied with Long & Short Faceplates



## Specification Text

### GENERAL ACCESS CONTROL

- Manufacturer: KCC Group
- Product reference: KES-GK311/1224
- Type: ANSI Electric Strike Site Selectable Fail Lock / Fail Open
- Size: Long Plate: L202 x W36.5 x D33 or Short Plate: L124 x W32 x D33
- Material/ finish: Stainless Steel



*For the purpose of continual product development, KCC reserves the right to change specifications without notice. Please accept all dimensions as approximate. E&OE. © KCC Group 2020.*