



## Anti-Ligature Door Hardware



A Comprehensive Range of  
Healthcare Products & Solutions



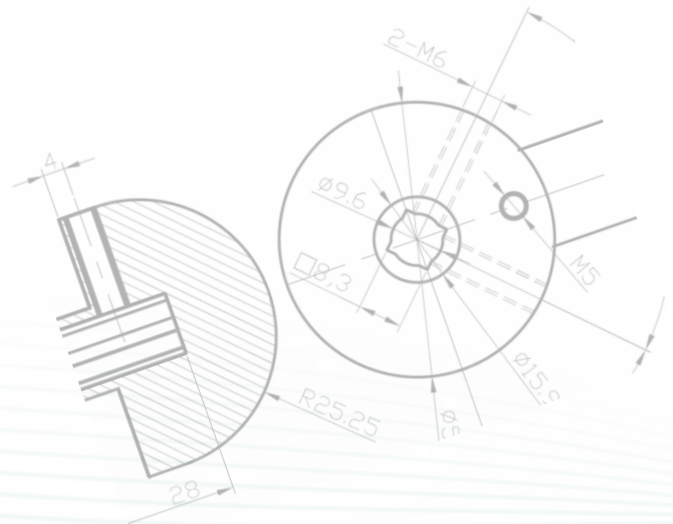


## Keeping Patients Safe

Care Home and Mental Health Facility Design is a critical component to patient wellbeing, care and safety. The design and function of door hardware effect how services are provided and the efficiency with which staff can deliver care.

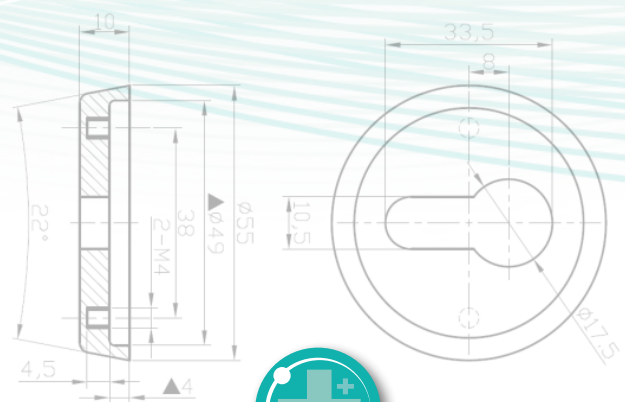
Patient conditions can cover a wide scope for illnesses that include, mobility considerations, physiological and mood disorders, and serious mental illness.

The Selection of door hardware should be part of the design process that considers all the above with Building Regulation requirements for Fire Doors and the Equality Act 2010.



At KCC Architectural we want to bring together a range of products and solutions that will help our customers successfully deliver to Mental Health Care projects.

Our own range of Door Hardware is manufactured to robust standards using solid stainless steel components to dimensions that are compatible with DIN standard locks and design considerations to meet the guidelines of DHF/TS001.



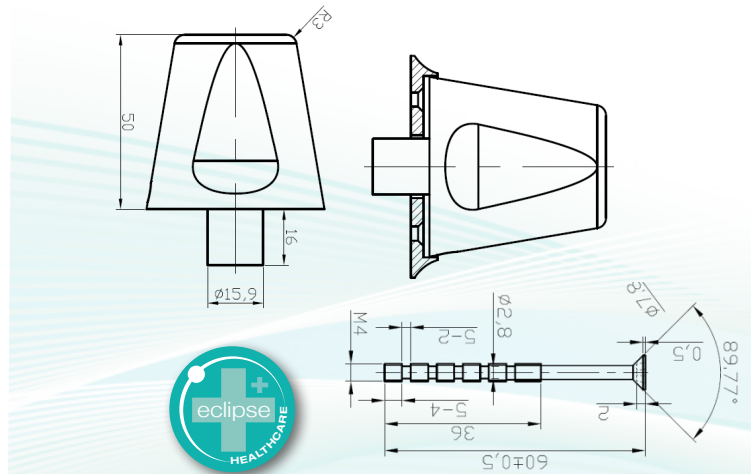


## Door Hardware Components

### 34802 Anti-Ligature Single Knob

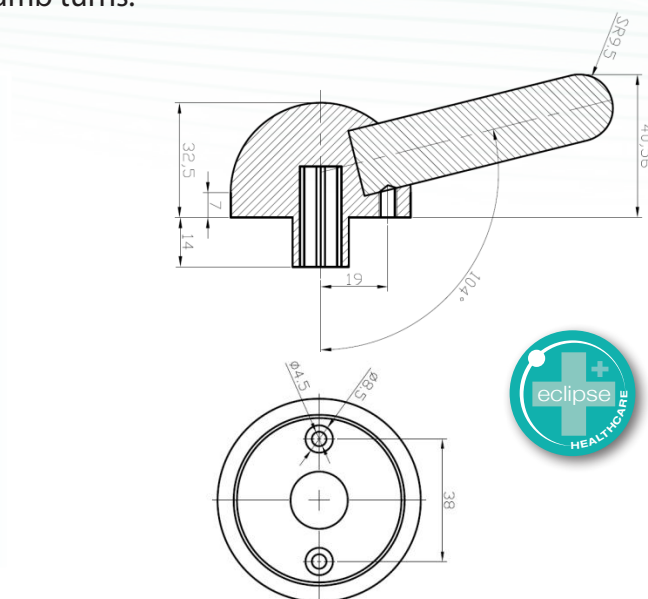
### 34803 Anti-Ligature Knob Set (pair)

- Manufactured from Solid Stainless Steel.
- Supplied with spindle, both through fixings and Torx fixings
- Prepared with bolt through fixings 38mm compatible with DIN standard lock cases.



### 34800 Anti-ligature Short Lever Handle Set

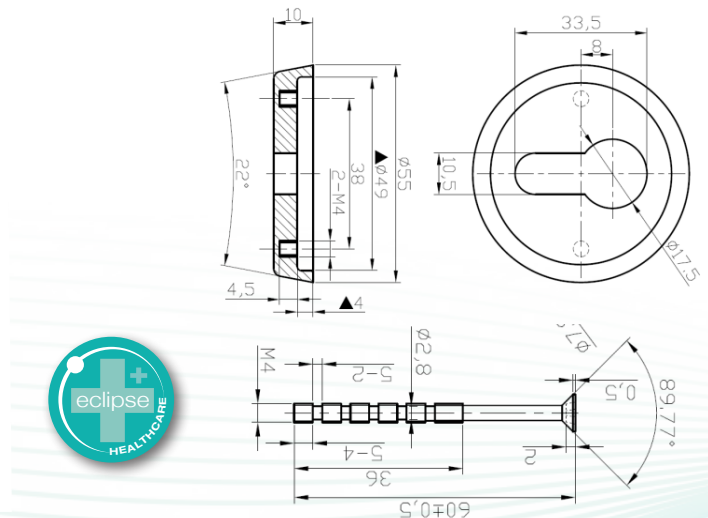
- Manufactured from Solid Stainless Steel.
- Supplied with spindle, both through fixings and Torx fixings
- Prepared with bolt through fixings 38mm compatible with DIN standard lock cases.
- Can be paired with 34802 Knob and 34807 Thumb turns.



## Door Hardware Components

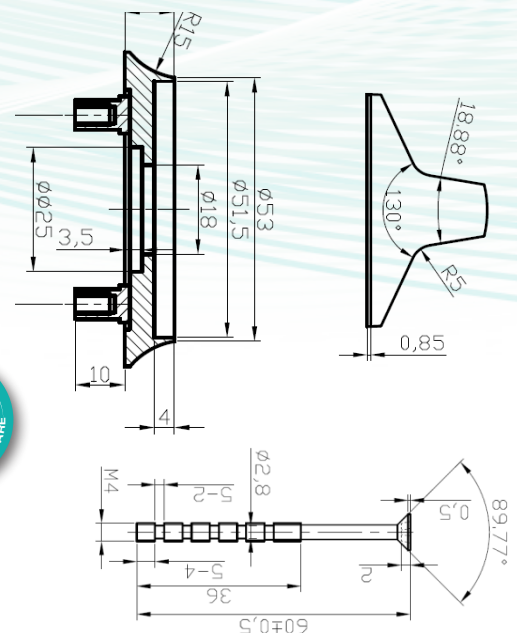
### 34804 Anti-ligature Security Escutcheon Set (Euro Profile)

- Manufactured from Solid Stainless Steel.
- Torx Anti-tamper Bolt Through Fixings Supplied.



### 34807 Anti-ligature Turn Release Set

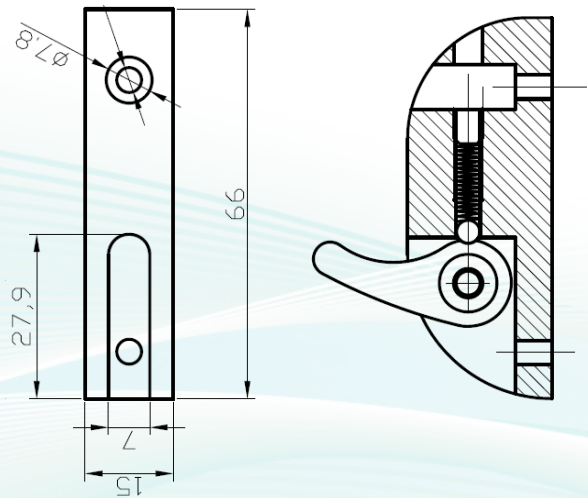
- Manufactured from Solid Stainless Steel.
- Supplied with 8mm Spindle.
- Torx Anti-tamper Bolt Through Fixings Supplied and Emergency Release Lever Key.



## Door Hardware Components

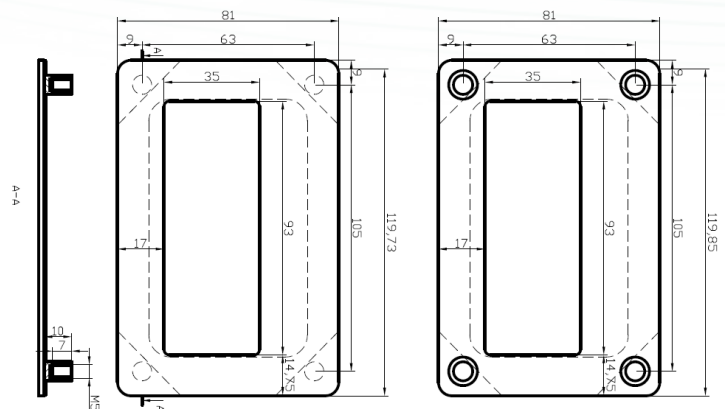
### 34808 Anti-Ligature Coat Hook

- Manufactured from Solid Stainless Steel.
- Adjustable Tension Spring.
- Supplied with Torx Anti-Tamper Fixings.



### 34806 Anti-ligature Flush Pull Back to Back Set

- Manufactured from Solid Stainless Steel.
- Supplied with Torx Anti-Tamper Fixings for Secure back to back.
- Can be supplied separately.

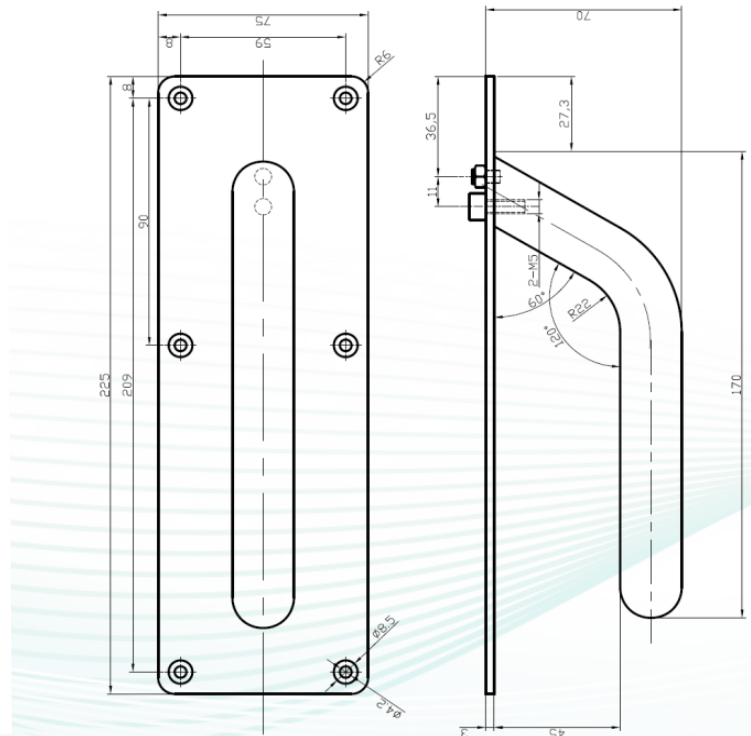




## Door Hardware Components

### 34805 Pull Handle on Plate

- Manufactured from Solid Stainless Steel.
- Supplied with Torx Anti-Tamper Fixings for Secure back to back.
- Can be linked with Anti-ligature push plate for secure back to back fixing.



### Combinations

The Eclipse range of anti-ligature Knobs, Levers and turns use the same rose with 38mm back to back fixing position. This makes combining products to provide door solutions really easy. For more bespoke productions and requirements please call Sales.



Contact Sales: Tel: 028 9046 9914 Fax: 028 9046 9915 Email: [salesbelfast@kccarchitectural.com](mailto:salesbelfast@kccarchitectural.com)

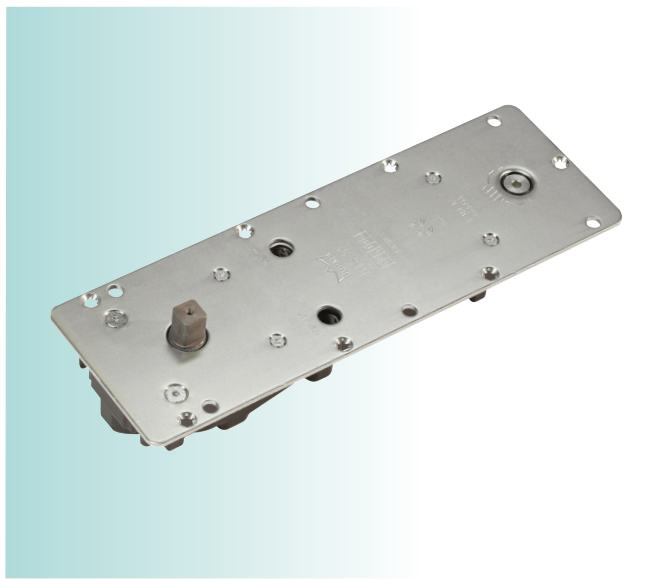




## Door Closer Solutions

The best door closer solutions provide no visible ligature points. Floor springs and transom mounted units are the best solution.

- Manufactured from Solid Stainless Steel.
- Supplied with Torx Anti-Tamper Fixings for Secure back to back.
- Can be linked with Anti-ligature push plate for secure back to back fixing.



### Dorma RTS87 Transom Unit



The RTS 87 Transom Closer offers the ideal solution for double or single action doors where floor springs cannot be used. Mounted into the head of the door frame with Concealed fittings these units also offer ideal solutions for situations where reduced ligature is a requirement.

- Electro Magnetic versions are also available for hold open applications.
- Helps to meet BS83000.
- Successfully third party tested to BS EN1154

### Dorma BTS75V Universal Floor Spring

The DORMA BTS 75 V is a highly adaptable floor spring suitable for all standard single, and double-action doors with widths up to 1100 mm, with its closing force individually regulated by means of an adjustment screw.

- Successfully third party tested to BS EN1154
- CE Marked
- CERTIFIRE Approved CF127



## The Ultimate Door Safety System

# SYMPHONY<sup>®</sup>

Symphony is a tailor-made, fully coordinated door safety system comprising the ALUmax safe door pivot system, MOVAsstop removable doorstop, and SUREclose concealed door closer.

It's unique because it's the first product to solve the many issues encountered in the Mental Health market. And like the collaboration itself, it offers a perfect example of an effective alliance in action.

### ALUmax

Offering the ultimate in safety, ALUmax is a tough anti-ligature door hinge that's completely safe and fully fire rated. Plus, the patented pivot system opens inwards and outwards, so it's anti barricade too. Robust and discreet, with minimal visible fixings, it meets the highest safety standards, so one product solves many problems.



### SUREclose

Developed in conjunction with DORMA, this overhead concealed double swing door closer is robust, simple to fit and anti-ligature. Powerful and versatile, the back check function cuts door abuse, while the absence of floor fixings is ideal for refurb and under floor heating. SUREclose might be hidden, but the benefits are clear to see.



### MOVAsstop

A robust removable anti-barricade doorstop that stops room access being blocked. Developed with Primera, it means doors can be opened outwards at any time, thanks to its rapid release mechanism. Discreet, non institutional and easy to install and release, it offers a safe solution that you'll only notice when you need it.



- For door type 54mm, single/double swing and anti-barricade doors
- Max opening angle 110°(normal operation), 90°(emergency release)
- Fire rating FD60 • Standard length 2100 mm and 2400 mm
- Ideal for low/medium secure mental health, old age psychiatry and other environments where safety is of primary concern



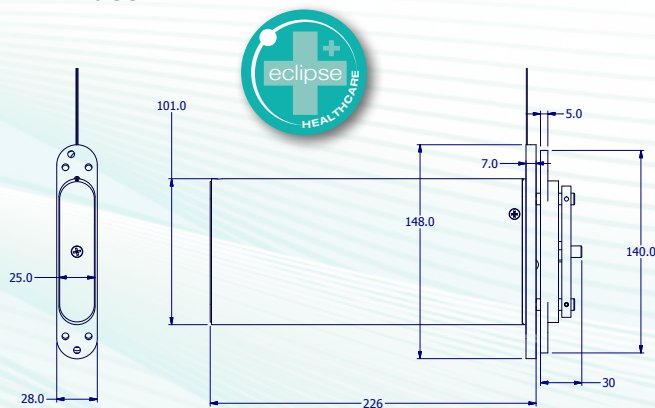
## The Double Action Z Hinge



The popular Z Hinge Offers a complete anti-barricade solution this package combines the Intastop Double Action Z Hinge, the full length Removable Doorstop and the Perko Powermatic Concealed Closer and provides an ideal solution for doors which are required to open 90° in both directions (180°).

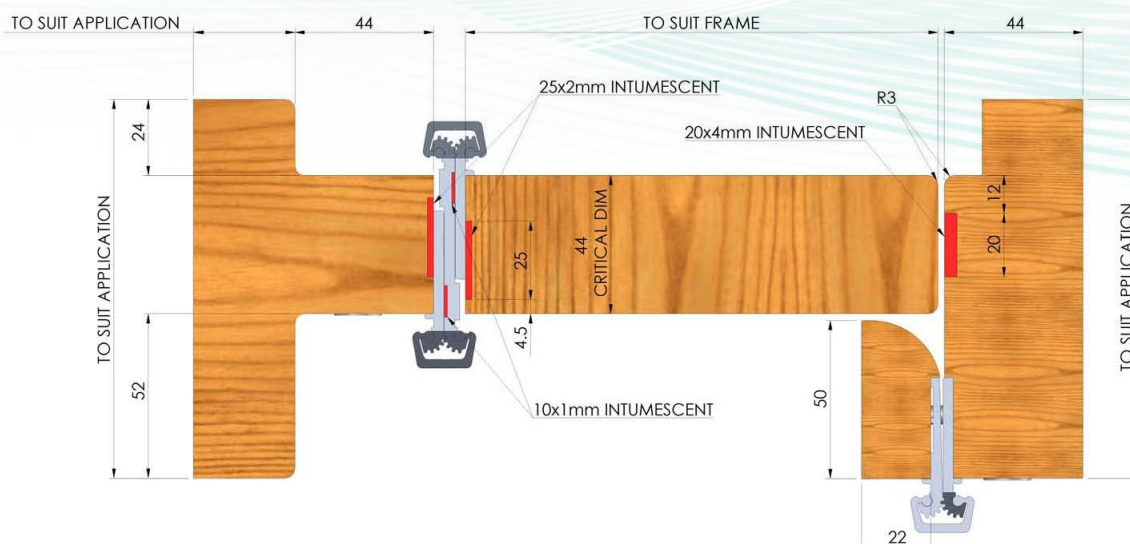
### Benefits:

- No need to dig up floor for installation or maintenance
- Ideal alternative to Pivot Floor Springs
- Fire tested to EN1634-12000 and Smoke tested to BS476:part 31
- Performance tested to European Standard EN1935

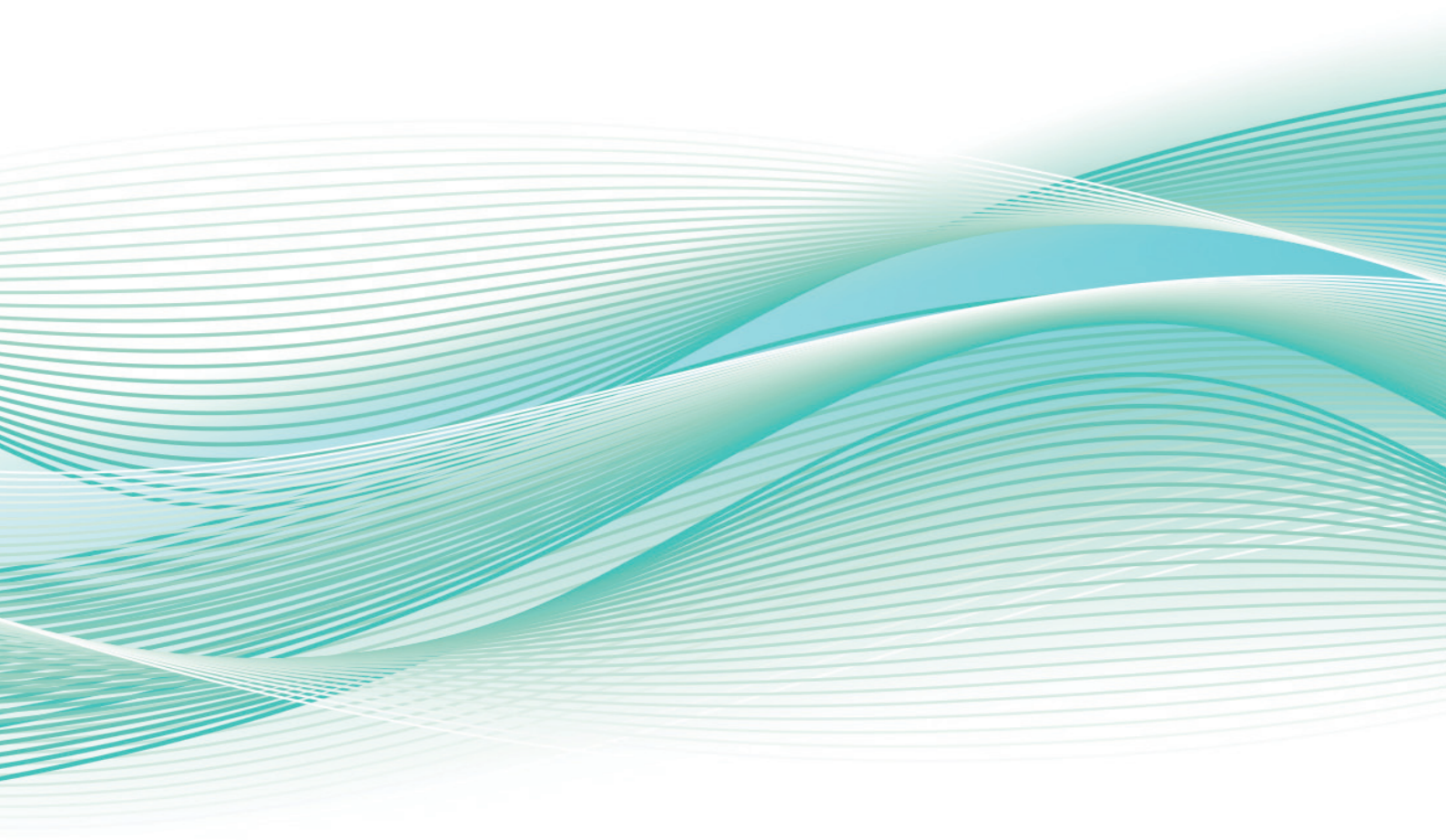


Please note: to work effectively this product must be fitted with the Perko Powermatic Concealed Closer R100 or R106 Free Swing Powermatic. This product is only suitable for 44mm doors.

This package also provides an ideal solution for bedroom doors in mental health or other public buildings where barricade is a risk and self-closing is required. This solution is only recommended for light/medium secure units.







KCC Architectural with its headquarters in Ballymount, Dublin operates throughout Ireland, North and South, Scotland and Doha (Middle East)

Dublin: +353 (0) 1 456 7421  
Cork: +353 (0) 21 453 1200  
Belfast: +44 (0) 28 9046 9914  
Scotland: +44 (0) 773 0764 730  
Doha: +974 (4) 436 2391